

PC-SM2H Surface Mount Male Adhesive Fix

INDUSTRY FIT:    

SPECIFICATIONS:

STANDARD PC RANGE

The surface mount male heavy duty clip is an extension of the Fastmount system, designed for use where installers prefer an adhesive fix, with increased loading. It is ideal for new composite materials. Patented SuperGroove® mechanically engage into Fastmount SuperGroove Adhesive for secure mounting.

BENEFITS

- Self-aligning secure mounting (min. 10kg per clip)
- Installation requires no special tools
- Uses Fastmount SuperGroove Adhesive
- No drilling of panels, fast installation
- Works with existing Fastmount clips
- Allows for flexing and expansion of panel and support frame materials

APPLICATIONS

- Mounting thicker panels with increased loading
- Soft or honeycomb cored panels with thin facings
- Mounting panels where no drilling is preferred
- Ideal for refit

PC-SM2H

USE WITH:

PC-F1A

PC-RF1

PC-SF1

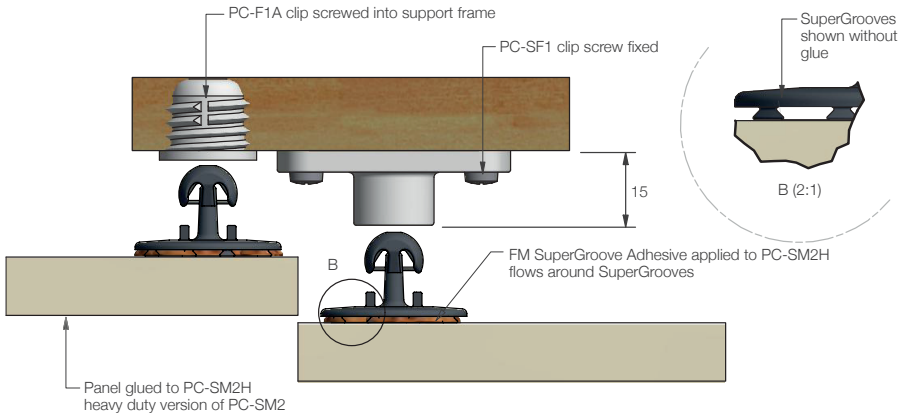
PC-AF1



MATERIAL:
Black acetal copolymer

MORE INFO:
Installation Guide FM IG_PC-F1A, SF1, RF1
Clip Layout Guide FM TD-02, 09, 12

INSTALLATION: Partially exploded through section showing typical installation method



The Fastmount® multi-award winning system has revolutionized the mounting of panels. Panels can easily be removed and refitted in any sequence time after time. For further information or technical support contact: info@fastmount.com