

VL-03FR Very Low Profile Clip Set Fire Rated

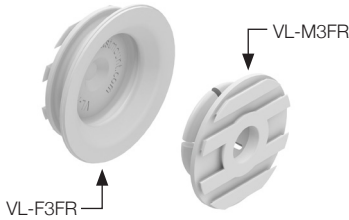
INDUSTRY FIT:    

SPECIFICATIONS:

VERY LOW PROFILE VL RANGE

The VL-03FR combines the Very Low Profile convenience for ceiling and wall panels, with a fire rating, making it useful in commercial areas where fire rating is required on thin panels. The VL-03FR can be rivet or screw fixed. Incorporates the patented SuperGroove® system.

VL-03FR 10kg



MATERIAL:
PBT

MORE INFO:
Installation Guide IG VL-03
Clip Layout Guide TD-02, 08, 09

BENEFITS

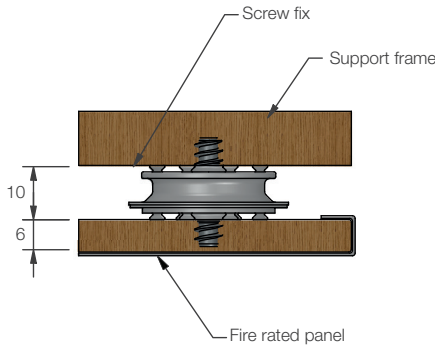
- Fire rated plastic with V-0 UL rating
- GWIT test at 2mm: 625°C, test method IEC-60695-2-13
- 10kg pull out load
- Rivet or screw fix to steel frames
- Screw fix to panels to ensure mechanical connection
- No special installation tools required

APPLICATIONS

- Fire rated ceiling and wall panels in areas with minimal frame and panel thickness
- Inspection panels
- Thin panels

INSTALLATION: Partially exploded through section showing typical installation method

Through section showing screw fix installation



The Fastmount® multi-award winning system has revolutionized the mounting of panels. Panels can easily be removed and refitted in any sequence time after time. For further information or technical support contact: info@fastmount.com