

## VL-03 & VL-03H Very Low Profile Clip Set

INDUSTRY FIT:



### SPECIFICATIONS:

### VERY LOW PROFILE VL RANGE

The VL-03 and VL-03H are ideal for mounting ceiling and wall panels in areas with minimal frame and panel thickness. The VL-03 and VL-03H clip sets use the patented SuperGroove® system to mechanically engage into adhesive. Screw or adhesive combinations can be used.

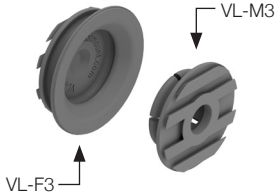
### BENEFITS

- Self-aligning secure mounting
- Installation requires no special tools or skilled labour
- Uses a range of adhesives to suit the customer
- Fast installation
- 5kg or 10kg pull out load
- Clip lead in for easy fitting
- Can be screw fixed with lateral adjustment, or glue fixed

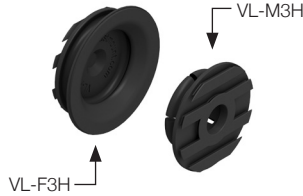
### APPLICATIONS

- Areas with minimal clearance
- Inspection panels
- Soft or honeycomb cored panels with thin facings
- Mounting panels where no drilling is preferred

**VL-03** 5kg



**VL-03H** 10kg



### MATERIAL:

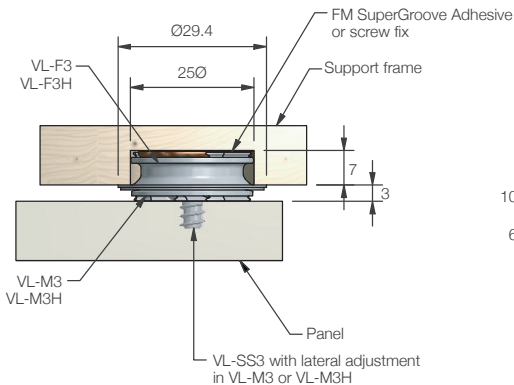
Grey or black acetal / nylon GF

### MORE INFO:

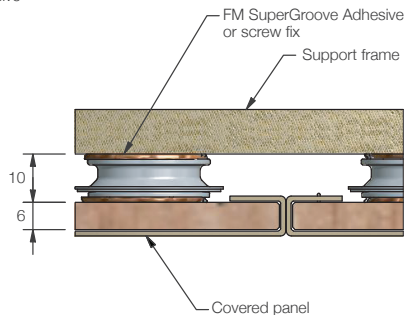
Installation Guide IG VL-03  
Clip Layout Guide TD-02, 08, 09

### INSTALLATION: Partially exploded through section showing typical installation method

Through section showing recessed installation



Through section showing surface mounted adhesive installation



The Fastmount® multi-award winning system has revolutionized the mounting of panels. Panels can easily be removed and refitted in any sequence time after time. For further information or technical support contact: [info@fastmount.com](mailto:info@fastmount.com)