

PS-150 PanelSafe - Self Tapping Male

INDUSTRY FIT:

SPECIFICATIONS:

PANELSAFE PS RANGE

PanelSafe restraint systems provide added security and control. The panel is suspended below the ceiling for convenient servicing behind the panel or controlled removal of the panel by releasing the wire. For use with Fastmount clips and installation tools.

Standard 150mm drop, custom lengths available on request

PS-150



USE WITH:
PC Standard Range
LP Low Profile Range
VL Very Low Profile Range
MC Metal Range

MATERIAL:
 Aluminium and stainless steel

MORE INFO:
 Installation Guide PS-150
 Clip Layout Guide PS-150 P60

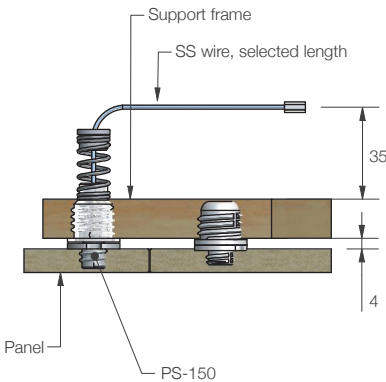
BENEFITS

- Provides extra security for heavy panels
- Easy one-person removal of large panels
- Convenient servicing behind panel without full removal
- Prevents panels falling during fire exit
- Works with existing Fastmount clips
- Variable length to suit application
- Self tapping option available

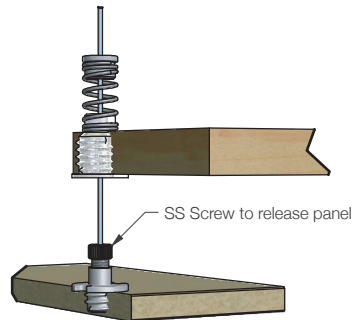
APPLICATIONS

- Heavy panels
- Large panels
- Thin walled panels requiring adhesive mounting
- Inspection and service panels
- Panels above valuable furniture and artwork

INSTALLATION: Partially exploded through section showing typical installation method



Cut away view, panel open



The Fastmount® multi-award winning system has revolutionized the mounting of panels. Panels can easily be removed and refitted in any sequence time after time. For further information or technical support contact: info@fastmount.com