

PC-SM2 Surface Mount Male Adhesive Fix

INDUSTRY FIT: 

SPECIFICATIONS:

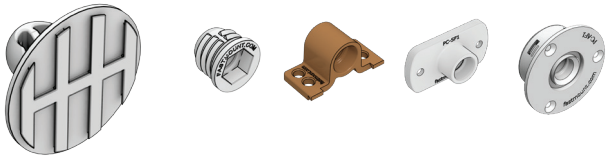
STANDARD PC RANGE

The surface mount male is an extension of the Fastmount system, designed for use with thin walled panels and where installers prefer an adhesive fix. It is ideal for new composite materials. Patented SuperGroove® mechanically engage into Fastmount SuperGroove Adhesive on the base for secure mounting.

PC-SM2

USE WITH:

PC-F1A PC-RF1 PC-SF1 PC-AF1



MATERIAL:
White acetal copolymer

MORE INFO:
Installation Guide FM IG_PC-F1A, SF1, RF1
Clip Layout Guide FM TD-02, 09, 12

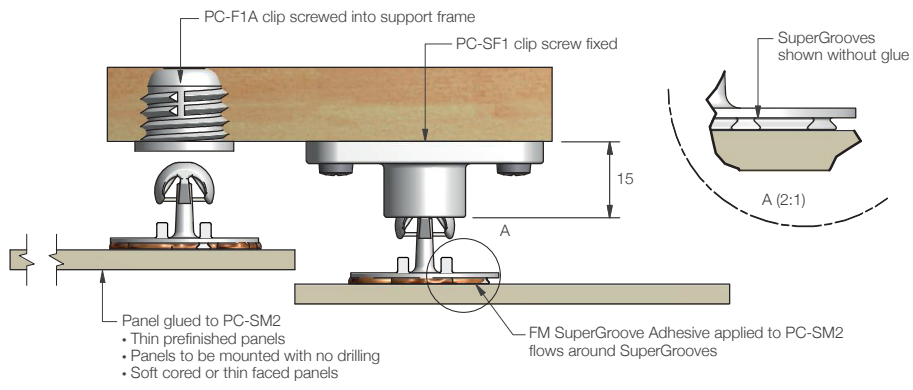
BENEFITS

- Self-aligning secure mounting (5kg per clip)
- Installation requires no special tools or skilled labour
- Uses Fastmount SuperGroove Adhesive
- No drilling of panels, fast installation
- Works with existing Fastmount clips
- Allows for flexing and an expansion of panel and support frame

APPLICATIONS

- Mounting thin walled panels less than 6mm thick
- Soft or honeycomb cored panels with thin facings
- Mounting panels where no drilling is preferred
- Ideal for refit

INSTALLATION: Partially exploded through section showing typical installation method



The Fastmount® multi-award winning system has revolutionized the mounting of panels. Panels can easily be removed and refitted in any sequence time after time. For further information or technical support contact: info@fastmount.com