


# STRATLOCK

RAIL SYSTEM BY FASTMOUNT



The true and tested way  
to frame-up and efficiently  
mount panels.

See our videos



Setting the standard for panel mounting

**FASTMOUNT**  
PANEL MOUNTING SOLUTIONS

# Perfect framing.

# Perfect mounting.



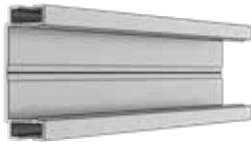
## FAST AND TRUE FRAMING SYSTEM

The Stratlock Rail System offers a truly flexible extrusion system designed for efficient and accurate framework construction, with one extrusion for both vertical and horizontal framing onto walls and ceilings. The SL-RLE is a modern, modular aluminium profile for support of decorative panels in medium stress applications.



### SL-RLE

Aluminium extrusion for horizontal and vertical framing



## FLEXIBLE CONNECTOR SYSTEM

Three connection options to suit a variety of structure types.

### SL-RCF90

Fixed 90° connector into SL-RLE for walls.



### SL-RCA180

For use with SL-RCF90 for wall to ceiling corner connector with 180° adjustability.



### SL-RCAB180

For use with SL-RCF90 for wall to wall corner connector with 180° adjustability.



## PANEL MOUNTING WITH THE STRATLOCK RANGE



### APPLY PANELS

Align male clips with female clips, and press to first click.



### ADJUST SPACING

While the panel is supported at the first click, it can be adjusted 4mm in any direction.



### LOCK PANELS

Once the final position is located, firmly press the panel to lock into position.

## BENEFITS

- Low assembly costs
- One profile for all orientations streamlines the construction process
- Non-mechanical machining saves time
- Allows flexibility in grid design according to specific needs
- Simple assembly
- Compatible with Stratlock Range clips for accurate panel mounting

## APPLICATIONS

- Mounting large wall and ceiling panels
- Hotels, hospitals, civic buildings
- Contract interiors
- Prefabricated interiors



# Introducing the Fastmount® Stratlock® Rail System.

• SL-FA

• SL-RLE

• SL-RCF90

• SL-RLE

• SL-FB

• SL-M18

Wall framework solution:

**SL-RLE** - horizontal + vertical extrusion

**SL-RCF90** - perpendicular connector

**SL-FA** - vertical extrusion

**SL-FB** - horizontal extrusion

**SL-M18** - wall panel

## STRATLOCK RAIL SYSTEM Contents

Introduction to the Stratlock Rail System	1
Stratlock Rail Extrusion SL-R	6
Stratlock Connectors SL-RC	8
Stratlock Clip Range SL	10
Product Sheet - Stratlock Rail	12
Product Sheets - Stratlock Connectors	14
Installation Guide - Fitting connectors	18
Installation Guide - Configuring Framework	21
Product Sheets - Stratlock Clip Range	26
Installation Guide - Stratlock Clip Range	33
Clip Layout Guides	41
Panel Offset Guide	49
Technical Information	51
Frequently Asked Questions	52
Maintenance Guide	53
Fastmount Authorised Distributors	54
Fastmount Product Range	55

# STRATLOCK SL-R

## RAIL EXTRUSION

Reframe how you think about framework.



The Stratlock Rail Extrusion is a unique framework system that allows an efficient method of framing up a wall grid to support decorative panels in low stress applications.

The Stratlock SL-RLE is a unique extrusion that can be used for both horizontal and vertical framing, removing the need for orientation-specific extrusions.

See the Stratlock Catalogue for more technical details.



### SL-RLE STRATLOCK RAIL EXTRUSION

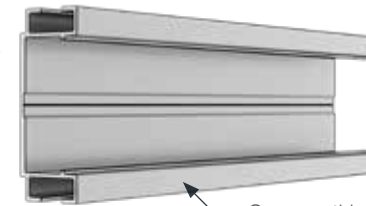
Available in 3m lengths, can be cut and assembled in grid format using appropriate Stratlock connectors. One profile for horizontal and vertical framing. Aluminium grade 6063 T5.

Weight per metre 405 grams.

Overall width 58mm, overall depth 22.3mm

### STRATLOCK® RAIL EXTRUSION TERMINOLOGY

Profile end - cut end of the extrusion



Channel - wide mouth on front face of profile

Groove - thin channel on side of profile

Creating and decorating aluminium framework has never been faster or more flexible. With only one profile required and adaptable connectors, the Stratlock Rail System is a foolproof way to create a consistent substrate for the perfect panel finish.



Framing connected with SL-RCF90



Wall framework solution:  
**SL-RLE** - horizontal + vertical extrusion  
**SL-RCF90** - perpendicular connector

Easy assembly.



# STRATLOCK SL-R

## RAIL CONNECTORS



Stratlock Rail Connectors make wall and ceiling grid assembly efficient and foolproof. The Stratlock Rail Connector Range offers connectors that enable a variety of functions, including creating a wall, creating a wall to wall corner, or creating a wall to ceiling corner with 180 degree adjustability.

See the Stratlock Catalogue for more technical details.



### SL-RCF90 WALL CONNECTOR

Creates a 90 degree fixed joint between the SL-RLE groove and profile end when building a wall, combines with SL-RCA180 for wall to ceiling connection or SL-RCAB180 for wall to wall corner connection. Diecast aluminium alloy ADC12. Installs with provided small hex head grub screw (stainless steel).



### SL-RCA180 WALL TO CEILING CONNECTOR

Pairs with SL-RCF90 to create wall to ceiling connection with 180° adjustability. Fits into SL-RLE profile end with supplied SS grub screws, and connects with SL-RCF90 with supplied socket screws. Die cast aluminium alloy ADC12.



### SL-RCAB180 WALL TO WALL CONNECTOR

Pairs with SL-RCF90 to create a wall to wall corner connection with 180° adjustability. Fits into SL-RLE profile groove with supplied SS grub screws, and connects with SL-RCF90 with supplied socket screws. Die cast aluminium alloy ADC12.



### FIXED 90° CONNECTION FOR WALLS AND CEILINGS



### WALL TO CEILING CONNECTIONS

Corner connector with 180° adjustability for perpendicular rails.



### WALL-TO-WALL CORNER CONNECTIONS

Corner connector with 180° adjustability for parallel rails.



Accurate mounting.



# STRATLOCK SL RANGE

The Stratlock Range is a heavy-duty panel mounting solution for mounting heavy interior panels onto aluminium or steel extrusion framework, designed specifically for the contract interior fitout industry. With no special installation tools required, the Stratlock Range is a hidden fixing that installs rapidly into the framework and panel, provides supported adjustment of the panel before locking into place, and boasts our highest shear strength and pull out load of 18kg. Typical applications include heavy wall and ceiling panels in the interiors of hotels, hospitals, retail and residential. Patent Pending.



### SL-FA/SL-FA-FR STRATLOCK FEMALE SIDE MOUNT

Female side mount clip with twist lock installation into aluminium extrusion. Fits into extrusion channel with dimensions of mouth: 7.5mm - 8.5mm, depth: min. 7mm, wall thickness: 0.75mm - 1.2mm. New solid-style internal load chassis. 10kg pull out load with SL-M10, 18kg with SL-M18. No special tools required for installation. See pages 26, 31-34.



### SL-FB/SL-FB-FR STRATLOCK FEMALE FRONT MOUNT

Female front mount channel insert with push fit installation. Fits into 18mm standard galvanized steel rail framework with channel dimensions of mouth: 35.0mm - 35.75mm, depth: min 15.75mm - 16.5mm. New solid-style internal load chassis. 10kg pull out load with SL-M10, 18kg with SL-M18. No special tools or screws required for installation. See pages 27, 31-32 and 35.



### SL-SMT1 STRATLOCK FEMALE SIDE MOUNT

Enabling clip for use with the PanelSafe Range and for suspended ceiling structures. Clips directly into existing SL-RLE rail and works in conjunction with the Stratlock range. Has a 25kg drop load in conjunction with PanelSafe, and a 50kg static load in suspended ceiling mode. No special tools required for installation. See pages 28, 36 and 37.

**! NEW**



### SL-SFA/SL-SFA-FR STRATLOCK SIDE MOUNT FOR TIMBER FRAMEWORK

Female side mount clip with screw fit installation into timber framework. Recommended for use with timber, steel or aluminium substrates. New solid-style internal load chassis. 10kg pull out load with SL-M10, 18kg with SL-M18. No special tools required for installation. See pages 29, 31-32, 36.



### SL-FC/SL-FC-FR STRATLOCK FEMALE FLUSH MOUNT

Female flush mount clip with screw fit installation. Fits into ø40mm hole, and screw fixes with 3 x #5 screws. No special tools required for installation. See pages 30-32, 39-40.



### SL-M10 STRATLOCK MALE 10KG

Male clip with two-stage engagement for adjustable panel positioning and locking. Fixes to panel with either 1 x #8 screw or 3 x #8 screws; or adhesive fix with a 2 part epoxy. Mounts into SL-FA, SL-SFA, SL-FB and SL-FC. 10kg pull out load. No special tools required for installation. See pages 29 -31, 33-35, 38-40.



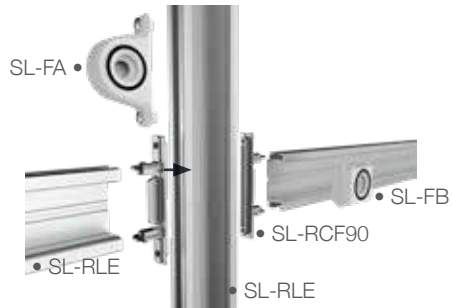
### SL-M18/SL-M18-FR STRATLOCK MALE 18KG

Male clip with two-stage engagement for adjustable panel positioning and locking. Fixes to panel with #8 screw, or surface mount with a 2 part epoxy. Mounts into SL-FA, SL-SFA, SL-FB and SL-FC. 18kg pull out load. No special tools required for installation. See pages 29-30, 32-33, 35, .



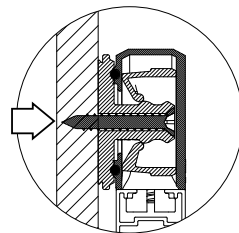
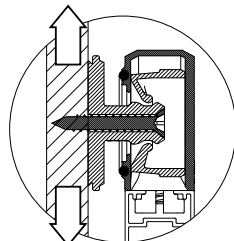
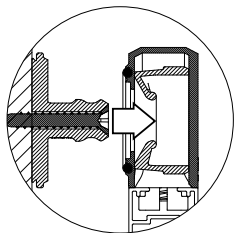
### CP-01ST CENTRE POINT

Centre point with stainless steel tip to align holes in panel and frame for correct clip alignment. Fits into SL-FA, SL-SFA, SL-FB.



Finish the job perfectly.

Use the Fastmount Stratlock Range to mount large and heavy decorative panels to the Stratlock Rail System. With a patented place-position-lock functionality, this is panel mounting - made perfect.



# STRATLOCK RAIL SYSTEM

## SL-RLE PRODUCT GUIDE

Corners  
made easy.



• SL-RCF90

• SL-RCAB180

### SL-RLE Stratlock® Rail - Large Extrusion

The Stratlock SL-RLE is a unique extrusion that can be used for both horizontal and vertical framing, removing the need for orientation-specific profiles. Install with the Stratlock Rail Connector Range to create a wall, corner, or ceiling connection with fixed or 180° adjustability. Fixes to existing substrate using appropriate fasteners. Ideal for the support of decorative panels in medium stress applications.

Available in 3 metre lengths, the SL-RLE can be cut and assembled in grid format using appropriate Stratlock connectors. One profile for both horizontal and vertical framing on walls and ceilings. Aluminium grade 6063 T5.

SL-RLE



USE WITH:  
SL-RCF90



SL-RCA180



SL-RCAB180



**MATERIAL:**  
Aluminium grade 6063 T5

**MORE INFO:**  
Installation Guide SL-RCF90,  
SL-RCA180, SL-RCAB180

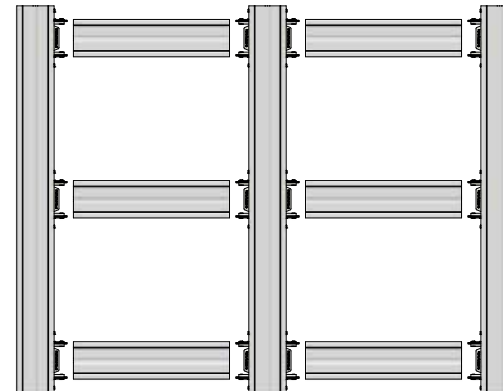
#### BENEFITS

- One extrusion for vertical and horizontal planes
- Reduction of installation time
- Lightweight aluminum
- Simple assembly - order & cut according to wall design
- Compatible with Stratlock Range clips for mounting large and heavyweight panels
- No special tools required for assembly
- CAD files available for easy specification

#### APPLICATIONS

- Walls and ceilings
- Commercial interior fit out
- Hotels, hospitals, retail, residential
- Fire-rated interiors
- Exhibitions
- Offices

**INSTALLATION:** Partially exploded through section showing typical installation method



Overall profile width 58mm  
Overall profile depth 22.3mm

# STRATLOCK RAIL SYSTEM

## SL-RCF90 PRODUCT GUIDE



Connectors  
for every application.

Connecting aluminium extrusions to build wall and ceiling grids has never been easier. Choose from three connection options that enable fixed or flexible connections depending on your layout.



180 degree adjustability for maximum installation flexibility

- Wall connection:  
**SL-RCF90**
- Wall to ceiling connection:  
**SL-RCA180**
- Wall to wall connection:  
**SL-RCAB180**

### SL-RCF90 Fixed wall connector

The SL-RCF90 is the foundation for all three connections available in the Stratlock Rail System. It provides installers with three connection options: a 90° fixed joint between the SL-RLE groove and profile end when building a wall, combines with SL-RCA180 for a wall to ceiling connection or SL-RCAB180 for wall to wall corner connection. Made of diecast aluminium alloy ADC12. Installs with provided small hex head grub screw (stainless steel).

SL-RCF90



USE WITH:

SL-RLE

SL-RCA180

SL-RCAB180



MATERIAL:

Diecast aluminium alloy ADC12

MORE INFO:

Installation Guide SL-RCF90, SL-RCA180, SL-RCAB180

#### BENEFITS

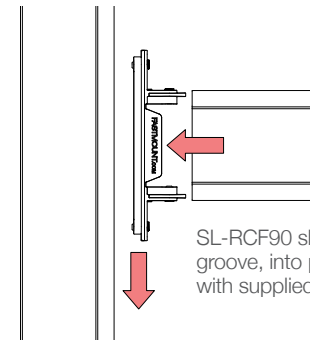
- No additional machining required
- Direct fixing into profile groove or end
- Stability nogs
- Minimal construction effort
- Screws into position with provided grub screws
- Instant 90° connection
- No special tools required for installation
- Diecast aluminium alloy ADC12
- Simple assembly, reversible installation
- Enables pre-assembly

#### APPLICATIONS

- Construction of straight framework against existing wall
- Blind walls
- Contract interior fit out
- Hotels, hospitals, retail, residential
- Exhibitions
- Fire-rated wall panels

**INSTALLATION:** Partially exploded through section showing typical installation method

### FIXED 90° CONNECTION FOR WALLS AND CEILINGS



SL-RCF90 slides into profile groove, into profile end, fastens with supplied grub screws.





# STRATLOCK RAIL SYSTEM

## SL-RCA180 PRODUCT GUIDE

# STRATLOCK RAIL SYSTEM

## SL-RCAB180 PRODUCT GUIDE

### SL-RCA180 Adjustable wall to ceiling connector

The SL-RCA180 is a 180° adjustable connector that pairs with the SL-RCF90 to create a wall to ceiling, perpendicular connection. Made of diecast aluminium alloy ADC12. Fits into SL-RLE profile end. Installs with provided small hex head grub screw (stainless steel), and installs into SL-RCF90 with supplied socket screws.

SL-RCA180

USE WITH:  
SL-RLE SL-RCF90



**MATERIAL:**  
Diecast aluminium alloy ADC12

**MORE INFO:**  
Installation Guide SL-RCA180

#### BENEFITS

- Enables simple construction of wall to ceiling corner with only 2 parts
- No additional machining required
- Direct fixing into profile groove & end
- Stability nogs
- Minimal construction effort
- Screws into position with provided grub screw
- 180° adjustability
- No special tools required for installation
- Diecast aluminium alloy ADC12
- Simple assembly, reversible installation
- Enables pre-assembly

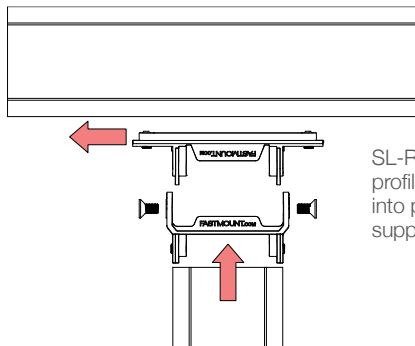
#### APPLICATIONS

- Modular construction
- Blind walls & ceilings
- Contract interior fit out
- Hotels, hospitals, retail, residential
- Exhibitions

**INSTALLATION:** Partially exploded through section showing typical installation method

#### WALL TO CEILING CONNECTIONS

Corner connector with 180° adjustability for perpendicular rails.



SL-RCA180 slides into profile groove, SL-RCF90 into profile end, fastens with supplied grub screws.



### SL-RCAB180 Adjustable wall to wall connector

The SL-RCAB180 is a 180° adjustable connector that pairs with the SL-RCF90 to create a wall to wall, parallel profile corner connection. Enables the simple construction of wall corners to streamline the installation process. Made of diecast aluminium alloy ADC12. Installs into SL-RLE groove with provided small hex head grub screw (stainless steel), and installs into SL-RCF90 with supplied socket screws.

SL-RCAB180

USE WITH:  
SL-RLE SL-RCF90



**MATERIAL:**  
Diecast aluminium alloy ADC12

**MORE INFO:**  
Installation Guide SL-RCAB180

#### BENEFITS

- Enables simple construction of wall to wall corner with only 2 parts
- No additional machining required
- Direct fixing into profile groove & end
- Stability nogs
- Minimal construction effort
- Screws into position with provided grub screw
- 180° adjustability
- No special tools required for installation
- Diecast aluminium alloy ADC12
- Simple assembly, reversible installation
- Enables pre-assembly

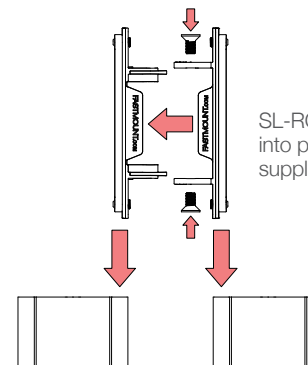
#### APPLICATIONS

- Corner construction
- Modular construction
- Blind walls & ceilings
- Contract interior fit out
- Hotels, hospitals, retail, residential
- Exhibitions

**INSTALLATION:** Partially exploded through section showing typical installation method

#### WALL-TO-WALL CORNER CONNECTIONS

Corner connector with 180° adjustability for parallel rails.



SL-RCAB180 and SL-RCF90 slide into profile groove and fastens with supplied grub screws.



# STRATLOCK SL RANGE

## SL-RCF90 INSTALLATION GUIDE

### SL-RCF90 How to fit connector - building a wall

SL-RCF90



USE WITH:

SL-RLE

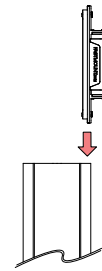


Grub screws (supplied)  
2.5mm hex key

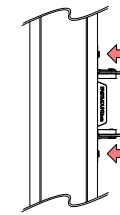
• SL-RCF90

• SL-RLE

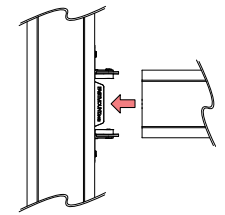
Slide SL-RCF90 into groove of SL-RLE



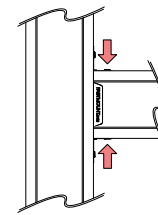
Tighten grub screws with 2.5mm hex key or right angle drive for battery drill



Insert horizontal SL-RLE profile end into SL-RCF90



Tighten grub screws with 2.5mm hex key



Wall framework solution:  
**SL-RLE** - Vertical + horizontal profiles  
**SL-RCF90** - fixed 90° connector

# STRATLOCK SL RANGE

## SL-RCA180 INSTALLATION GUIDE

# STRATLOCK SL RANGE

## SL-RCB180 INSTALLATION GUIDE

### SL-RCA180 How to fit connector - building a wall to ceiling connection


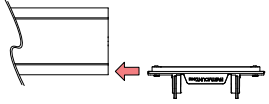
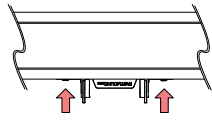
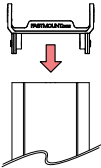
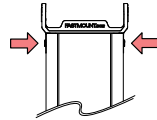
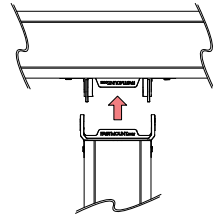
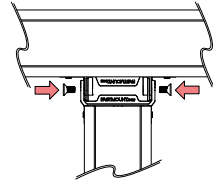
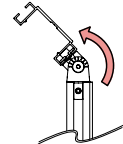
**SL-RCA180**



**USE WITH:**

SL-RCF90 Grub screws (supplied)  
Socket screws (supplied)

2.5mm hex key  
3mm hex key

<p>Remove grub screws from teeth of SL-RCF90</p> 	<p>Slide SL-RCF90 into groove of horizontal SL-RLE</p> 	<p>Tighten grub screws with 2.5mm hex key once in position</p> 
<p>Insert SL-RCA180 into profile end of vertical SL-RLE</p> 	<p>Tighten grub screws with 2.5mm hex key</p> 	<p>Insert SL-RCF90 into SL-RCA180</p> 
<p>Insert socket screws and fasten enough to hold connectors together</p> 	<p>Adjust horizontal rail to desired angle, tighten socket screws with 3mm hex key</p> 	

### SL-RCAB180 How to fit connector - building a wall to wall connection


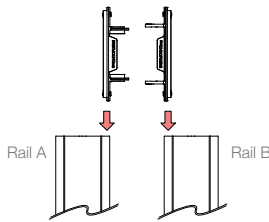
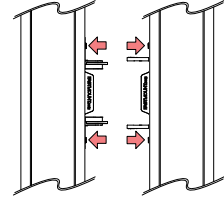
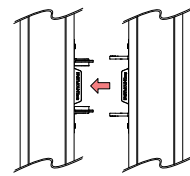
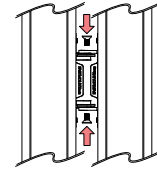
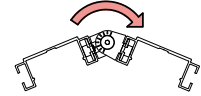
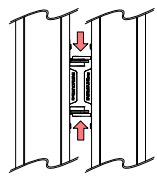
**SL-RCAB180**



**USE WITH:**

SL-RCF90 Grub screws (supplied)  
Socket screws (supplied)

2.5mm hex key  
3mm hex key

<p>Remove grub screws from teeth of SL-RCF90</p> 	<p>Slide SL-RCF90 into groove of SL-RLE Rail A, and slide SL-RCAB180 into groove of SL-RLE Rail B</p> 	<p>Tighten grub screws on both connectors using 2.5mm hex key</p> 
<p>Fit SL-RCAB180 into SL-RCF90</p> 	<p>Insert socket screws to fasten connectors together</p> 	<p>Adjust rails to desired corner angle</p> 
<p>Tighten socket screws using 3mm hex key</p> 		

# STRATLOCK SL RANGE

## SL-RCF90 INSTALLATION GUIDE

# STRATLOCK SL RANGE

## SL-RCA180 INSTALLATION GUIDE

### SL-RCF90 How to build a wall

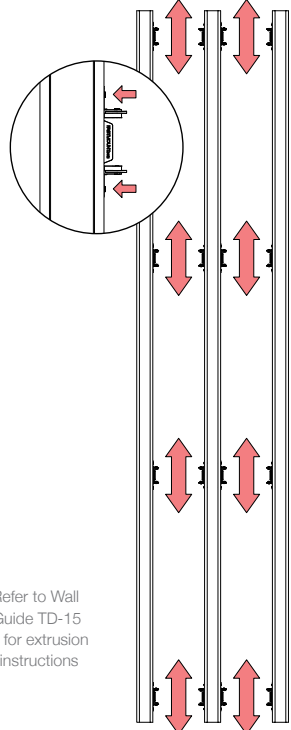
**SL-RCF90**



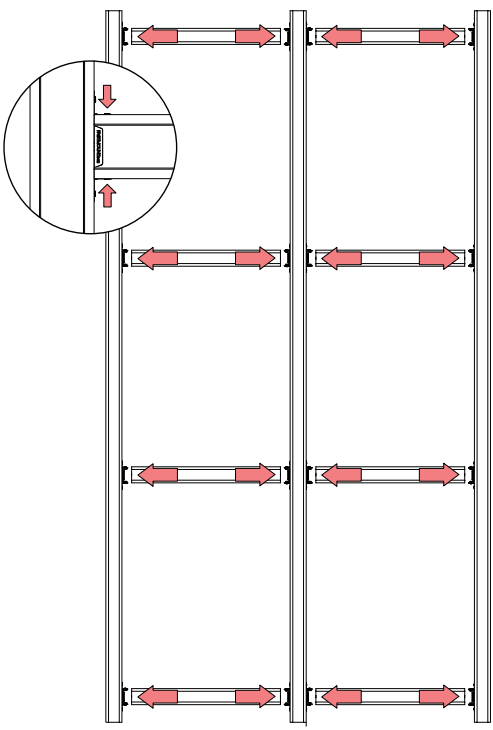
**USE WITH:**

	SL-RLE	Grub screws (supplied)
		Packers if required
		Appropriate substrate fastener
		2.5mm hex key

Slide SL-RCF90 into groove of vertical SL-RLE and tighten grub screws with 2.5mm hex key to secure.



Insert profile end of horizontal SL-RLE into SL-RCF90, tighten grub screws with 2.5mm hex key to secure.



NOTE: Refer to Wall Layout Guide TD-15 & TD-16 for extrusion spacing instructions

### SL-RCA180 How to connect a ceiling to wall grid

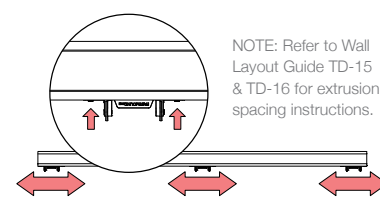
**SL-RCA180**



**USE WITH:**

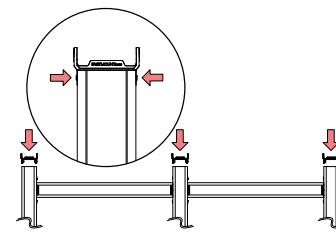
	SL-RCF90	Grub screws (supplied)
		Socket screws (supplied)
		Appropriate ceiling hangers
		2.5mm hex key
		3mm hex key

Position appropriate amount of SL-RCF90 connectors along groove of SL-RLE. Tighten grub screws with 2.5mm hex key to secure.

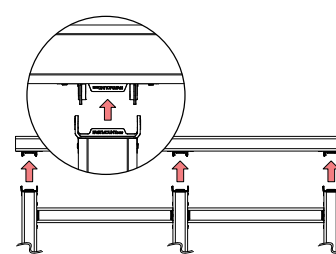


NOTE: Refer to Wall Layout Guide TD-15 & TD-16 for extrusion spacing instructions.

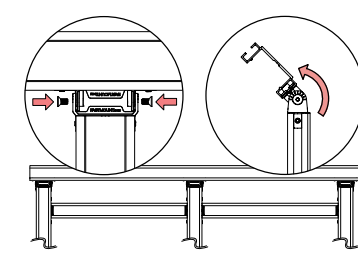
Insert SL-RCA180 into profile end of vertical SL-RLE. Tighten grub screws with 2.5mm hex key to secure.



Insert SL-RCF90 into SL-RCA180, insert socket screws and adjust to desired angle.



Adjust horizontal profile to desired position. Tighten socket screws with 3mm hex key to secure position.



# STRATLOCK SL RANGE

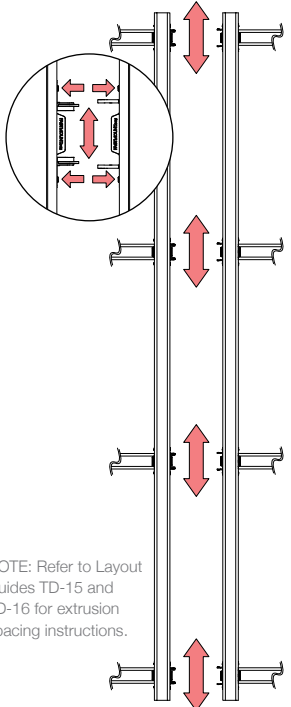
## SL-RCAB180 INSTALLATION GUIDE

### SL-RCAB180 How to create a wall corner

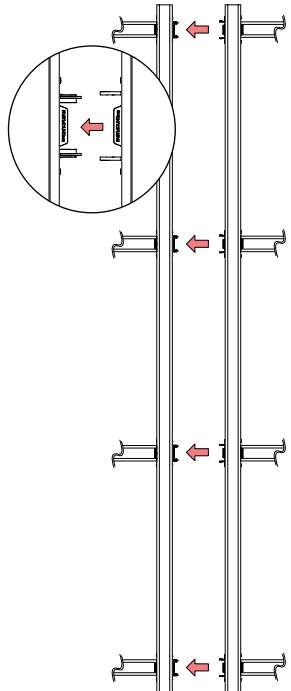
<p><b>SL-RCAB180</b></p> 	<p><b>USE WITH:</b></p> <ul style="list-style-type: none"> <li>SL-RCF90</li> <li>Grub screws (supplied)</li> <li>Socket screws (supplied)</li> <li>Packers/spacers</li> <li>Appropriate substrate hardware</li> <li>2.5mm hex key</li> <li>3mm hex key</li> </ul> 
---	---

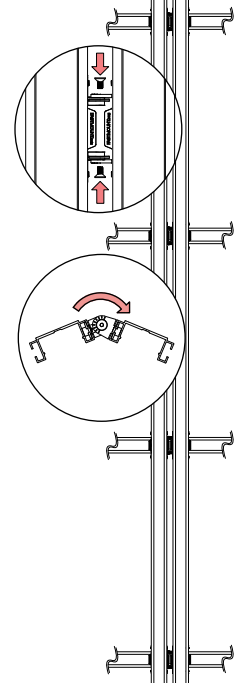
- Position appropriate number of SL-RCF90 into groove of extrusion A and SL-RCAB180 into groove of extrusion B.

Tighten grub screws with 2.5mm hex key once in position.



NOTE: Refer to Layout Guides TD-15 and TD-16 for extrusion spacing instructions.
- Connect SL-RCF90 and SL-RCAB180


- Fit socket screws and adjust to desired corner angle before tightening socket screws with a 3mm hex key.

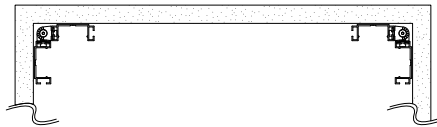


### FINISHING INSTALLATION WITH DOUBLE INTERNAL CORNERS

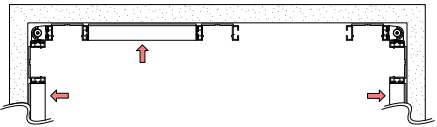
In cases where the wall grid cannot be pre-assembled, the following steps should be followed.

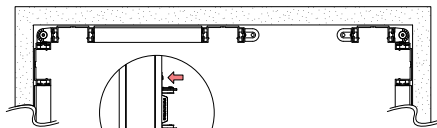


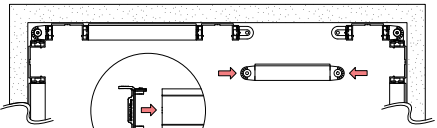
- Construct corner verticals.

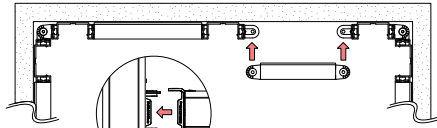


NOTE: Refer to Wall Layout Guide TD-15 & TD-16 for extrusion spacing instructions.
- Build wall out from corners. Leave one horizontal nog empty.


- Fix SL-RCF90 level to final horizontal lengths


- Cut final horizontal length 50mm shorter and insert SL-RCA180


- Insert SL-RCA180 into final horizontal lengths



# STRATLOCK SL RANGE

## SL-FA & SL-FA-FR PRODUCT GUIDE

### SL-FA Stratlock® Female Side Mount Clip

### SL-FA-FR Stratlock® Female Side Mount Clip - Fire Rated

The SL-FA provides rapid installation of heavy panels into side-channel aluminium extrusion framework. Designed specifically for contract interior fitout applications, the SL-FA / SL-FA-FR is also suitable for superyacht deckhead panels. Female installs rapidly with a twist-lock function into the side channel, and can be screwed or riveted into its final position. Used with the SL-M10/SL-M18 /SL-M18-FR, the new solid internal load chassis creates 4mm supported movement of the panel in any direction at the first engagement before locking into place with a 10/18kg pull out load. Patent Pending.

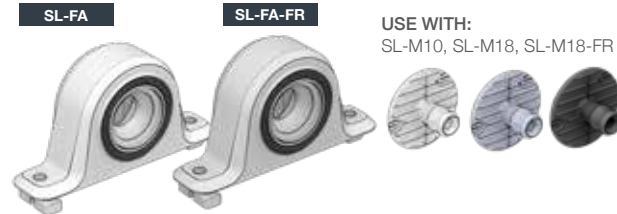
Designed for the new Stratlock Rail System by Fastmount, or fits into groove dimensions: mouth: 7.5mm - 8.5mm, depth: min 7mm, wall thickness: 0.75mm - 1.2mm. The distance between the panel and substrate when installed is 12.5mm at the first click, and 6mm when pressed into final position.

#### BENEFITS

- Strongest mounting available
- T-lock function for rapid installation into channel with screw or pop rivet
- Supported movement of the panel 4mm in any direction before locking into final position.
- No special tools required for installation
- Acoustic isolation between panel and frame
- Designed for aluminium extrusion
- Option of 10kg or 18kg pull out load with SL-M10 or SL-M18
- 6mm standoff between frame and panel
- Adjustability along channel for easy spacing - no drilling required
- SL-FA-FR available in V-0 rated FR Nylon

#### APPLICATIONS

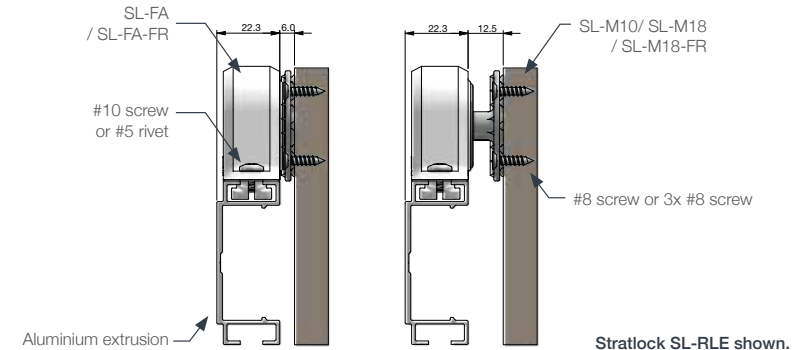
- Commercial interior fit out
- Architectural and marine applications
- Mounting heavier ceiling and wall panels
- Hotels, hospitals, retail
- Residential fitout
- Superyacht deckhead panels
- Fire-rated interiors



**MATERIAL:**  
White Acetal copolymer/Rubber ring  
Off white FR Nylon/Rubber ring

**MORE INFO:**  
Installation Guide SL-FA  
Clip Layout Guide TD-15, 17  
Panel Offset Guide

**INSTALLATION:** Partially exploded through section showing typical installation method



The all new SL-SMT1 and PanelSafe making suspended ceiling panels an Easyfit.

# STRATLOCK SL RANGE

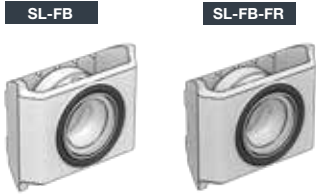
## SL-FB & SL-FB-FR PRODUCT GUIDE

### SL-FB Stratlock® Female Front Mount

### SL-FB-FR Stratlock® Female Front Mount - Fire Rated

The SL-FB provides rapid installation of heavy panels into 18mm standard galvanized steel rail framework. Designed specifically for contract interior fit out applications. Female installs rapidly with a push fit function into the steel channel, and does not require fastenings. Used with the SL-M10/SL-M18 / SL-M18-FR, the new solid internal load chassis creates 4mm supported movement of the panel in any direction at the first engagement before locking into place with an 10/18kg pull out load. Patent Pending.

Designed for the new Stratlock Rail System by Fastmount, or fits into channel dimensions: mouth: 35.0mm - 35.75mm, depth: min 15.75mm - 16.5mm, wall thickness: N/A. The distance between the panel and substrate when installed is 12.5mm at the first click, and 6mm when pressed into final position.



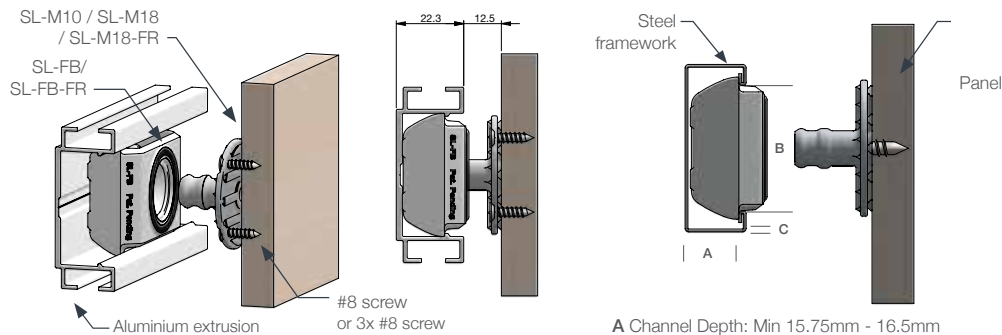
**USE WITH:**  
SL-M10, SL-M18, SL-M18-FR



**MATERIAL:**  
White Acetal copolymer/Rubber ring  
Off white Duranex

**MORE INFO:**  
Installation Guide SL-FB  
Clip Layout Guide TD-16, 18  
Panel Offset Guide

**INSTALLATION:** Partially exploded through section showing typical installation method



Stratlock SL-RLE shown.

**A** Channel Depth: Min 15.75mm - 16.5mm  
**B** Channel Mouth: 35.0mm - 35.75mm  
**C** (Channel Wall Thickness: Wall thickness does not effect clip)

### BENEFITS

- Strongest mounting available
- Supported movement of the panel 4mm in any direction before locking into final position.
- Push fit into rail face
- No special tools required
- Acoustic isolation between panel and frame
- Fits into front channel steel extrusion
- Option of 10kg or 18kg pull out load with SL-M10 or SL-M18
- Adjustability along channel for easy spacing - no drilling required
- SL-FB-FR available in V-0 rated FR PBT

### APPLICATIONS

- Commercial interior fit out
- Mounting heavier ceiling and wall panels
- Architectural applications
- Hotels, hospitals, retail, residential
- Fire-rated wall panels

# STRATLOCK SL RANGE

## SL-SMT1 PRODUCT GUIDE

### SL-SMT1 Stratlock® Sidemount

The SL-SMT1 makes the Fastmount PanelSafe Easyfit or suspended ceiling rods compatible with the Stratlock Rail System. Easily positionable to locate around ceiling panel design, the SL-SMT1 allows installers to install PanelSafe Easyfits onto ceiling structures for the safe support of ceiling panels. M10 ceiling rods can also be threaded through the SL-SMT1 to suspend an entire Stratlock Rail System grid as a suspended ceiling. The SL-SMT1 has a push fit installation, fixes into position with screws, and can be used with other extrusions. The SL-SMT1 has a static load capacity of 50kg when used to suspend a ceiling, and 25kg shock load when used with the PanelSafe.

**SL-SMT1**



**NEW !**

**MATERIAL:**  
White GF Nylon

**USE WITH:**  
Stratlock Rail System  
  
PS-150E  
PS-S150E  
or  
M10 THREADED  
ROD HANGER



**MORE INFO:**  
Installation Guide SL-SMT1  
Clip Layout Guide TD-21  
Refer to online catalogue

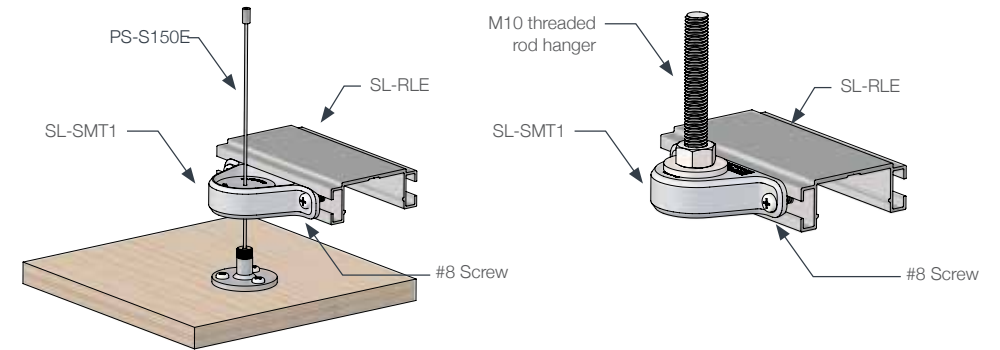
### BENEFITS

- Enables compatibility with Fastmount PanelSafe Easyfit products
- Simple installation
- No special tools required for installation
- Enables Stratlock Rail System to be suspended from ceiling as a grid using M10 ceiling hanger

### APPLICATIONS

- Commercial interior fit out
- Mounting heavier ceiling and wall panels
- Hotels, hospitals, retail, residential
- Superyacht deckheads
- Fire-rated interiors

**INSTALLATION:** Partially exploded through section showing typical installation method



Stratlock SL-RLE shown.

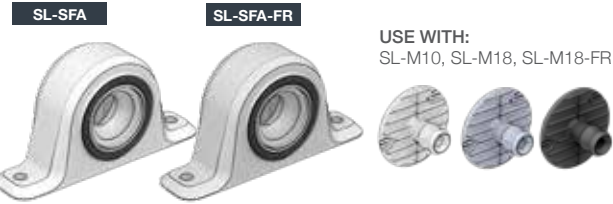
# STRATLOCK SL RANGE

## SL-SFA & SL-SFA-FR PRODUCT GUIDE

### SL-SFA Stratlock® Female Side Mount – For Timber

### SL-SFA-FR Stratlock® Female Side Mount - Fire Rated

The SL-SFA provides rapid installation of heavy panels to timber, steel or aluminium framework. Designed specifically for contract interior fitout applications to reduce onsite installation time. Female installs onto side of framework with 2 x #8 panhead screws (20mm) in timber frames, and #8 tek screws (20mm) into steel or aluminium framework. Used with the SL-M10/SL-M18 / SL-M18-FR the new solid internal load chassis creates 4mm supported movement of the panel in any direction at the first engagement before locking into place with an 10/18kg pull out load. The distance between the panel and substrate when installed is 12.5mm at the first click, and 6mm when pressed into final position. Patent Pending.



**MATERIAL:**  
White Acetal copolymer/Rubber ring  
Off white FR Nylon/Rubber ring

**MORE INFO:**  
Installation Guide SL-SFA  
Clip Layout Guide TD-15, 17  
Panel Offset Guide

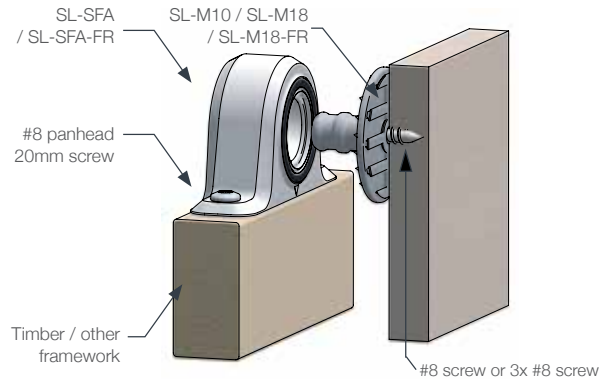
#### BENEFITS

- Strongest mounting available
- Side mount with rapid screw fixing
- Supported movement of the panel 4mm in any direction before locking into final position.
- No special tools required for installation
- Acoustic isolation between panel and frame
- Option of 10kg or 18kg pull out load with SL-M10 or SL-M18
- 6mm clearance between panel and frame
- SL-SFA-FR available in V-0 rated FR nylon

#### APPLICATIONS

- Commercial interior fitout
- Residential interior fitout
- Architectural applications
- Mounting heavy wall panels
- Fire rated interior panels

**INSTALLATION:** Partially exploded through section showing typical installation method



# STRATLOCK SL RANGE

## SL-FC & SL-FC-FR PRODUCT GUIDE

### SL-FC Stratlock® Female Flush Mount

### SL-FC-FR Stratlock® Female Flush Mount - Fire Rated

The SL-FC / SL-FC-FR provides rapid installation of heavy panels to solid substrates. Designed specifically for contract interior fitout applications to reduce onsite installation time. The SL-FC is ideal for applications where framework or grid structure is not available (e.g. sheet metal, aluminium, fibreglass, MDF or plywood). SL-FC fits into a pre-drilled ø40mm hole, and screw fixes with 3 x #5 screws. The Patent Pending internal load chassis of the female clip creates 4mm supported movement of the panel in any direction before locking into place with a 10 or 18kg pull out load, depending on the male clip used (SL-M10 or SL-M18). Distance between panel and substrate when installed is 13.5mm at first click, and 7mm when pressed into final position. Patent Pending. Refer to Panel Offset Guide for gap between substrate and panel, pull out and shear loads.



**MATERIAL:**  
White Acetal copolymer/Rubber ring  
Off white Duranex/Rubber ring

**MORE INFO:**  
Installation Guide SL-FC  
Clip Layout Guide TD-19, 20  
Panel Offset Guide

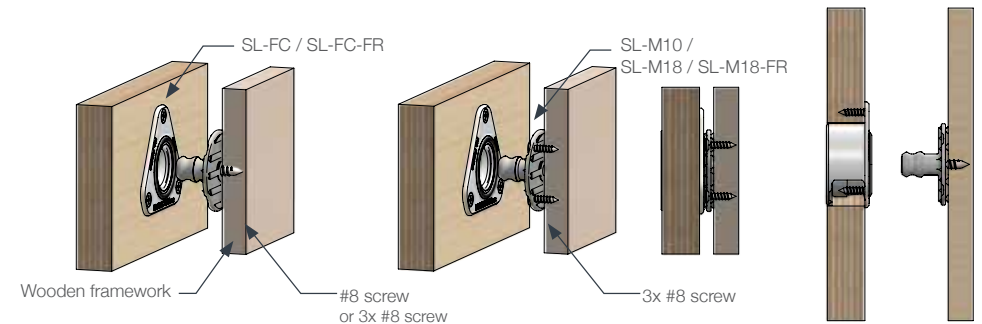
#### BENEFITS

- Strongest available fixing from Fastmount
- Flush fit for solid substrates
- Supported movement of the panel 4mm in any direction before locking into final position
- No special tools required for installation
- Acoustic isolation between panel and frame
- Option of 10kg or 18kg pull out load with SL-M10 or SL-M18
- 7mm clearance between panel and frame

#### APPLICATIONS

- Commercial interior fitout
- Residential interior fitout
- Architectural applications
- Mounting heavy wall panels
- Aluminium, sheet steel, fibreglass, plywood or MDF substrates

**INSTALLATION:** Partially exploded through section showing typical installation method





# STRATLOCK SL RANGE

## SL-M10 PRODUCT GUIDE

### SL-M10 Stratlock® Male 10kg

The male SL-M10 attaches to the panel, and mounts into either SL-FA, SL-SFA, SL-FB or SL-FC for rapid mounting of heavy panels to aluminium or steel extrusion framework, or solid substrates. The SL-M10 has a lower pull out load of 10kg for more frequently removed panels still requiring strength and high shear loading. Featuring a unique two-stage engagement head, the SL-M10 engages into the new solid internal load chassis to give 4mm supported movement in any direction before locking into place. Option to fix into panel using 1 x #8 screw, 3 x #8 screws or adhesive fix with a 2 part epoxy. No special tools required for installation. Patent Pending. Refer to Panel Offset Guide for gap between substrate and panel, pull out and shear loads.

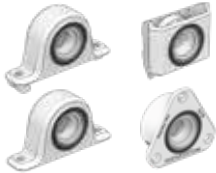
**SL-M10** 10kg



**MATERIAL:**  
White Nylon

**USE WITH:**

- SL-FA
- SL-SFA
- SL-FB
- SL-FC



**MORE INFO:**

- Installation Guide SL-FA, SL-SFA, SL-FB, SL-FC
- Clip Layout Guide TD-15
- Panel Offset Guide

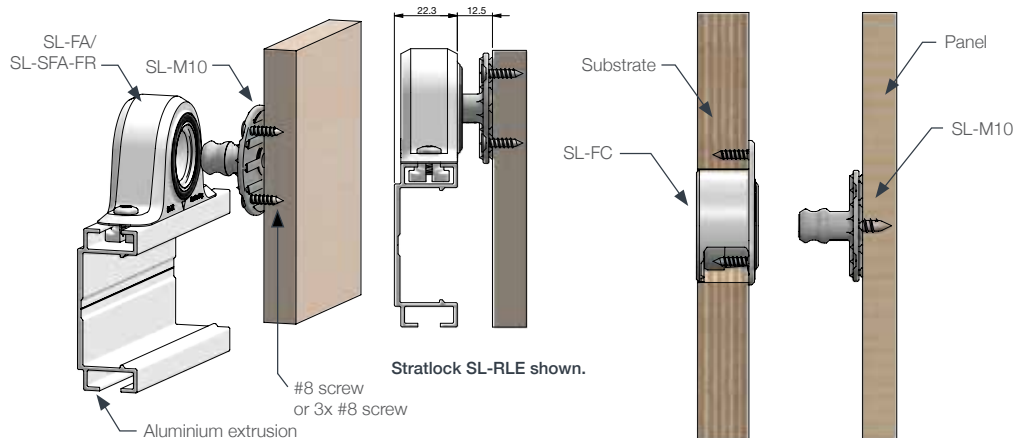
**BENEFITS**

- 10kg pull out load
- Supported movement of the panel 4mm in any direction before locking into final position.
- Option to screw fix with 1 x #8, or 3 x #8 screws
- Option to adhesive fix with a 2 part epoxy adhesive
- No special tools required for install
- Acoustic isolation between panel and frame
- Fits into SL-FA, SL-SFA, SL-FB or SL-FC

**APPLICATIONS**

- Commercial interior fit out
- Mounting ceiling and wall panels
- Hotels, hospitals, retail, residential
- Superyacht deckheads

**INSTALLATION:** Partially exploded through section showing typical installation method



# STRATLOCK SL RANGE

## SL-M18 & SL-M18-FR PRODUCT GUIDE

### SL-M18 Stratlock® Male 18kg SL-M18-FR Stratlock® Male 18kg - Fire Rated

The SL-M18 attaches to the panel, and mounts into either SL-FA, SL-SFA, SL-FB or SL-FC for rapid mounting of heavy panels to aluminium or steel extrusion framework. The SL-M18-FR/ SL-M18-FR can be combined with fire-rated female clips from the Stratlock Range where fire-resistance is required. Featuring a two-stage engagement head, the SL-M18 engages into the new solid internal load chassis to give 4mm supported movement in any direction before locking into place. Option to fix into panel with 1 or 3 #8 screws or a 2 part epoxy. Combined with any female clip from the Stratlock Range, the SL-M10/SL-M18 / SL-M18-FR has an 10/18kg pull out load and high shear strength. No special tools required for installation. Patent Pending. Refer to Panel Offset Guide for gap between substrate and panel, pull out and shear loads.

**SL-M18** 18kg

**SL-M18-FR** 18kg



**MATERIAL:**  
Light grey GF Nylon  
Black Shinitite

- USE WITH:**
- SL-FA / SL-FA-FR
  - SL-SFA / SL-SFA-FR
  - SL-FB / SL-FB-FR
  - SL-FC / SL-FC-FR

**MORE INFO:**

- Installation Guide SL-FA, SL-SFA, SL-FB, SL-FC
- Clip Layout Guide TD-15
- Panel Offset Guide



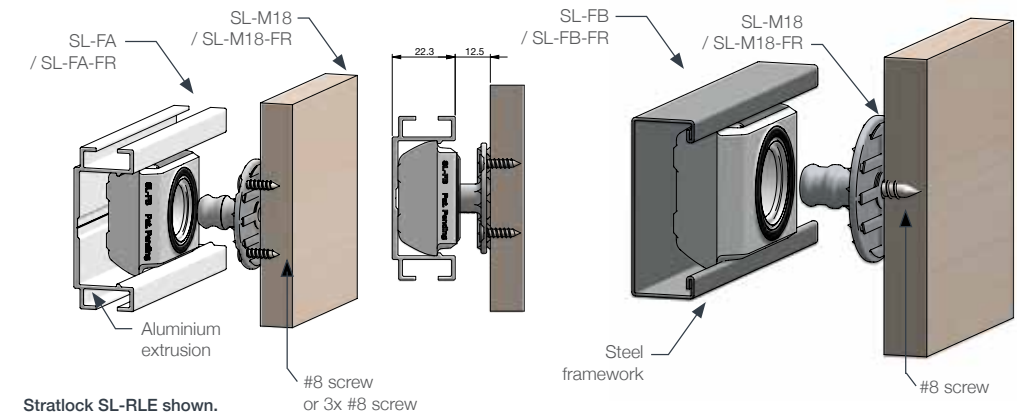
**BENEFITS**

- Strongest mounting available
- Supported movement of the panel 4mm in any direction before locking into final position.
- Screw fix with 1 or 3 #8 screws, or a 2 part epoxy
- No special tools required
- Acoustic isolation between panel and frame
- Fits into SL-FA / SL-FA-FR, SL-SFA / SL-SFA-FR, SL-FB / SL-FB-FR and SL-FC / SL-FC-FR
- 18kg pull out load & high shear strength

**APPLICATIONS**

- Commercial interior fit out
- Mounting heavier ceiling and wall panels
- Hotels, hospitals, retail, residential
- Superyacht deckheads
- Fire-rated interiors

**INSTALLATION:** Partially exploded through section showing typical installation method



# STRATLOCK SL RANGE

## SL-FA & SL-FA-FR INSTALLATION GUIDE

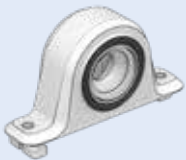

# STRATLOCK SL RANGE

## SL-FA INSTALLATION GUIDE

**SL-FA** Stratlock® Range - Screw Fix  
**SL-FA-FR** Stratlock® Range - Screw Fix - Fire Rated

**SL-FA** Stratlock® Range - Adhesive Fix

<b>SL-FA</b>	<b>SL-FA-FR</b>	<b>USE WITH:</b> SL-M10, SL-M18, SL-M18-FR	<b>INSTALL WITH:</b> #5 screws #8 screws #10 screws CP-01ST
			

<b>SL-FA</b>	<b>USE WITH:</b> SL-M10, SL-M18	<b>INSTALL WITH:</b> A 2 part epoxy adhesive #10 screws
		

**INSTALLATION STEPS** Screw-fix method - follow same steps for fire-rated Stratlock clips

<b>1</b> Insert SL-FA into extrusion frame	<b>2</b> Use twist-lock function to locate position	<b>3</b> Use mallet to press SL-FA into frame	<b>4</b> Slide SL-FA horizontally into final position if required
<b>5</b> Use 2 x #10 screws or #5 rivets to fix into place	<b>6</b> Insert CP-01 ST into SL-FA and press panel into correct position, marking the panel	<b>7</b> Drill out mark created by CP-01 ST with 3mm drill bit	<b>8</b> Install SL-M18 with 1 x #8 screw through centre or 3 x #5 screws through base
<b>9</b> Engage panel to first click of SL-M18 into SL-FA	<b>10</b> Adjust panel to find correct position	<b>11</b> Once panel is in correct location, engage second click by pressing panel into final position.	

Stratlock SL-RLE shown.

**INSTALLATION STEPS** Adhesive fix method

<b>1</b> Insert SL-FA into extrusion frame	<b>2</b> Use twist-lock function to locate position	<b>3</b> Use mallet to press SL-FA into frame	<b>4</b> Slide SL-FA horizontally into final position if required
<b>5</b> Use 2 x #10 screws or #5 rivets to fix into place	<b>6</b> Engage SL-M18 two clicks into SL-FA	<b>7</b> 2 part epoxy adhesive to SL-M18	<b>8</b> Press panel into place
<b>9</b> Use panel support while adhesive dries	<b>10</b> Once adhesive has dried, remove panel. Replace and engage one click to adjust panel to find correct position	<b>11</b> Once panel is in correct location, engage second click by pressing panel into final position.	

Stratlock SL-RLE shown.

# STRATLOCK SL RANGE

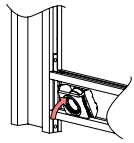
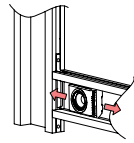
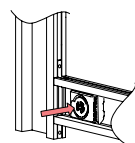
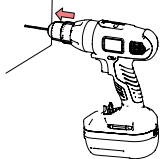
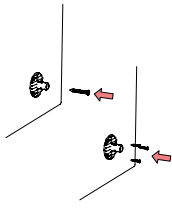
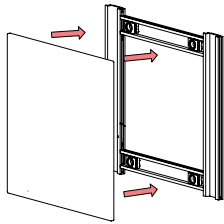
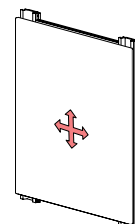
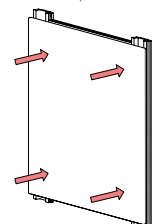
## SL-FB & SL-FB-FR INSTALLATION GUIDE

**SL-FB** Stratlock® Range - Screw Fix  
**SL-FB-FR** Stratlock® Range - Screw Fix - Fire Rated

<b>SL-FB</b> 	<b>SL-FB-FR</b> 	<b>USE WITH:</b> SL-M10, SL-M18, SL-M18-FR 	<b>INSTALL WITH:</b> #8 screws #5 screws CP-01ST 
--	--	--	--

### INSTALLATION STEPS

Screw-fix method - follow same steps for fire-rated Stratlock clips

<b>1</b> Push fit SL-FB into frame 	<b>2</b> Locate SL-FB into correct position 	<b>3</b> Insert CP-01 ST into SL-FB and press panel into correct position, marking the panel 	<b>4</b> Drill out mark created by CP-01ST with 3mm drill bit 
<b>5</b> Install SL-M18 with 1 x #8 screw through centre or 3 x #5 screws through base 	<b>6</b> Engage panel to first click into SL-FB 	<b>7</b> Adjust panel to find correct position 	<b>8</b> Once panel is in correct location, engage second click by pressing panel into final position 

Stratlock SL-RLE shown.

# STRATLOCK SL RANGE

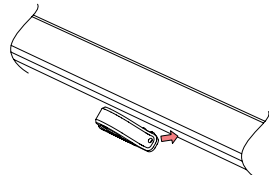
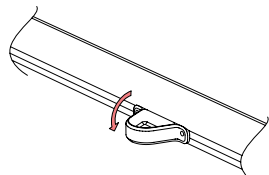
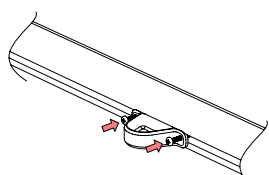
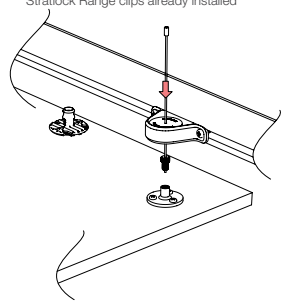
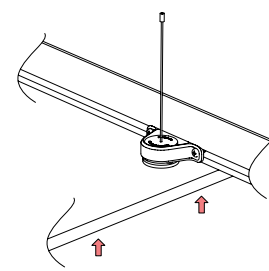
## SL-SMT1 INSTALLATION GUIDE

**SL-SMT1** Stratlock® Sidemount  
 - Installation with PanelSafe Easyfit

<b>SL-SMT1</b> 	<b>USE WITH:</b> PS-S150E PS-S150E 	<b>INSTALL WITH:</b> #8 screws 
---	--	--

### INSTALLATION STEPS

Installation with PanelSafe

<b>1</b> Insert SL-SMT1 into SL-RLE 	<b>2</b> Click into place 	<b>3</b> Use #8 screws to fix SL-SMT1 into position 
<b>4</b> Pass the PS-150E or PS-S150E through SL-SMT1 and attach to panel with appropriate Stratlock Range clips already installed 	<b>5</b> Clip panel into position 	

Stratlock SL-RLE shown.

# STRATLOCK SL RANGE

## SL-SMT1 INSTALLATION GUIDE

### SL-SMT1 Stratlock® Sidemount

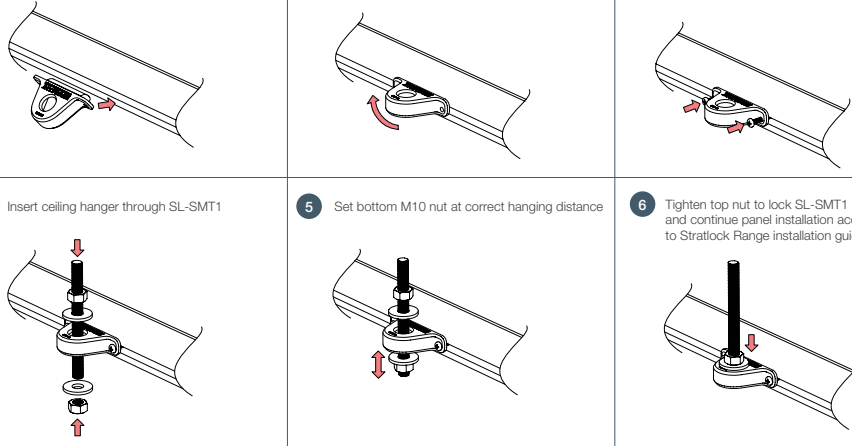
- Suspension of SL-RLE with M10 threaded rod hanger

<b>SL-SMT1</b>	<b>USE WITH:</b> M10 threaded rod hanger	<b>INSTALL WITH:</b> #8 screws
----------------	---	-----------------------------------



#### INSTALLATION STEPS using M10 threaded rod hanger

1 Insert SL-SMT1 into channel of SL-RLE, logo side facing up	2 Click into place	3 Use #8 screws to fix SL-SMT1 into position
4 Insert ceiling hanger through SL-SMT1	5 Set bottom M10 nut at correct hanging distance	6 Tighten top nut to lock SL-SMT1 in place and continue panel installation according to Stratlock Range installation guides.



Stratlock SL-RLE shown.

# STRATLOCK SL RANGE

## SL-SFA & SL-SFA-FR INSTALLATION GUIDE

### SL-SFA Stratlock® Range - Screw Fix

### SL-SFA-FR Stratlock® Range - Screw Fix - Fire Rated

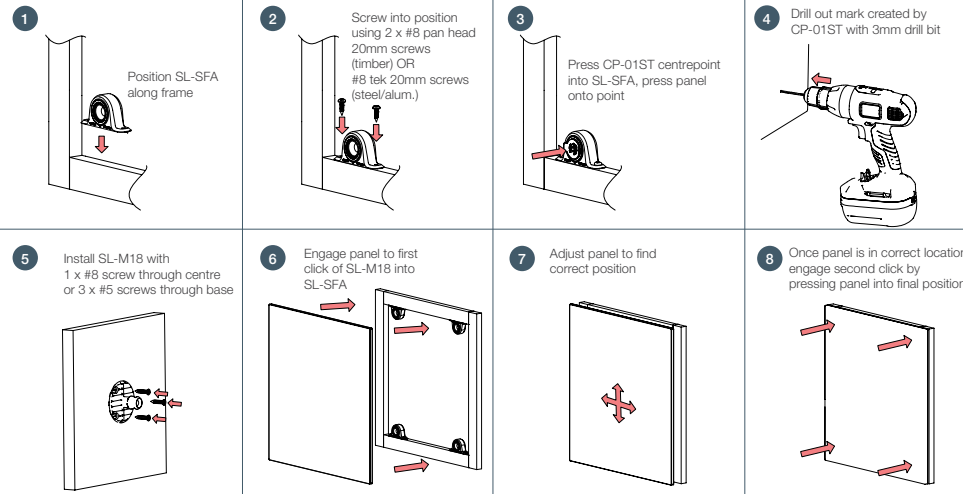
<b>SL-SFA</b>	<b>SL-SFA-FR</b>	<b>USE WITH:</b> SL-M10, SL-M18, SL-M18-FR	<b>INSTALL WITH:</b> CP-01ST 2 x #8 panhead screws (20mm, timber frame) OR #8 tek screws (20mm, aluminium/steel frame) #5 screws
---------------	------------------	---	---



#### INSTALLATION STEPS Screw-fix method - follow same steps for fire-rated Stratlock clips

Note: Refer into steps 6 - 11 on SL-FA Adhesive Fix Installation Guide for adhesive application.

1 Position SL-SFA along frame	2 Screw into position using 2 x #8 pan head 20mm screws (timber) OR #8 tek 20mm screws (steel/alum.)	3 Press CP-01ST centrepoint into SL-SFA, press panel onto point	4 Drill out mark created by CP-01ST with 3mm drill bit
5 Install SL-M18 with 1 x #8 screw through centre or 3 x #5 screws through base	6 Engage panel to first click of SL-M18 into SL-SFA	7 Adjust panel to find correct position	8 Once panel is in correct location, engage second click by pressing panel into final position.



# STRATLOCK SL RANGE





## SL-FC & SL-FC-FR INSTALLATION GUIDE

# STRATLOCK SL RANGE

## SL-FC INSTALLATION GUIDE

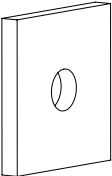
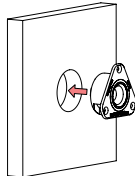
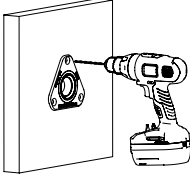
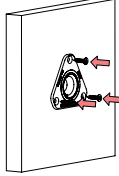
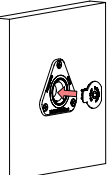
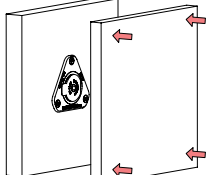
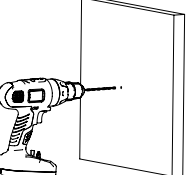
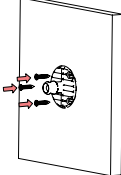
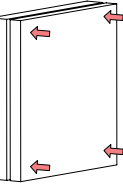
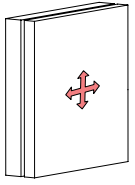
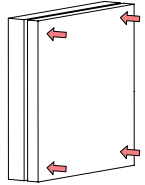
**SL-FC** Stratlock® Range - Screw Fix  
**SL-FC-FR** Stratlock® Range - screw fix - Fire Rated

**SL-FC** Stratlock® Range - Adhesive Fix

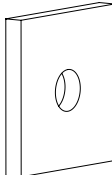
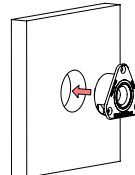
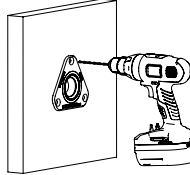
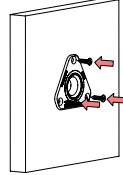
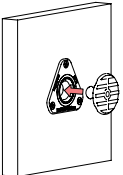
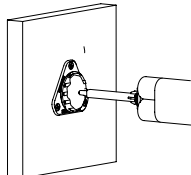
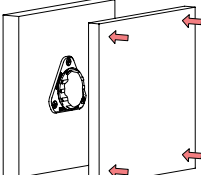
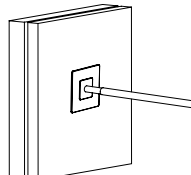
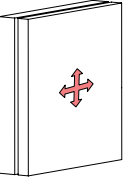
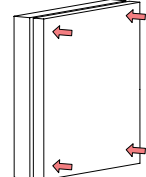
<b>SL-FC</b>	<b>SL-FC-FR</b>	<b>USE WITH:</b> SL-M10, SL-M18, SL-M18-FR	<b>INSTALL WITH:</b> #5 screws #8 screws CP-01ST
			

<b>SL-FC</b>	<b>USE WITH:</b> SL-M10, SL-M18	<b>INSTALL WITH:</b> A 2 part epoxy adhesive #5 screws
		

### INSTALLATION STEPS Screw-fix method - follow same steps for fire-rated Stratlock clips

<b>1</b> Drill out 40mm hole	<b>2</b> Press SL-FC into hole	<b>3</b> Pre-drill 2.5-3mm holes depending on substrate density	<b>4</b> Fasten SL-FC with 3 x #5 screws
			
<b>5</b> Fit CP-01ST into SL-FC	<b>6</b> Position panel and press firmly against CP-01ST to mark position of male clip	<b>7</b> Drill out mark created by CP-01ST with drill bit according to fitting preference (1 or 3 screws)	<b>8</b> Install SL-M18 / SL-M10 with either 1 x #8 screw or 3 x 5 screws according to preference.
			
<b>9</b> Engage panel to first click of SL-M18/SL-M10	<b>10</b> Adjust panel to find desired position	<b>11</b> Once panel is in correct location, engage second click by pressing panel into final position	
			

### INSTALLATION STEPS Adhesive fix method

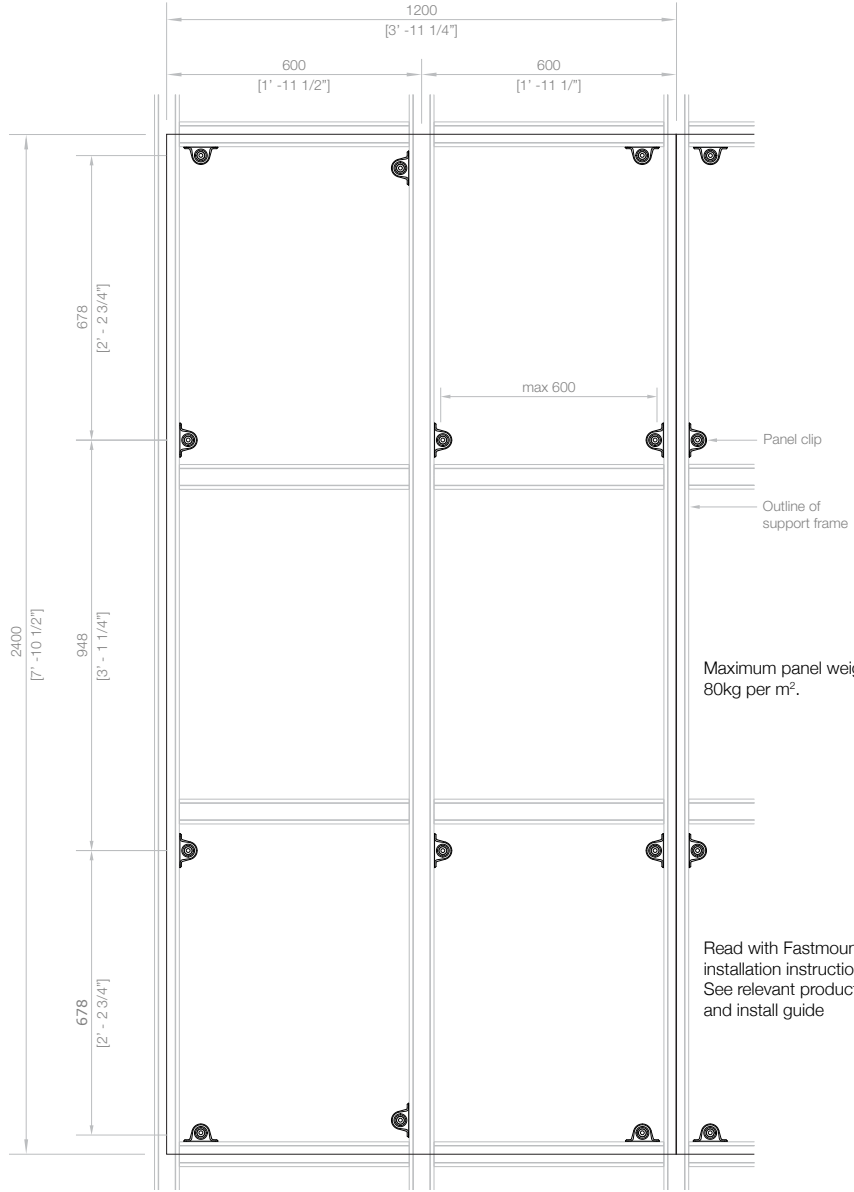
<b>1</b> Drill out 40mm hole	<b>2</b> Fit SL-FC into hole	<b>3</b> Pre-drill 2.5-3mm holes depending on substrate density	<b>4</b> Fasten SL-FC with 3 x #5 screws
			
<b>5</b> Clip SL-M18 / SL-M10 into SL-FC	<b>6</b> Apply 2 part epoxy adhesive to the back of male clip	<b>7</b> Press panel against clips in desired position	<b>8</b> Support panel in place while adhesive dries
			
<b>9</b> Use CT-05 to disengage panel. To replace, engage one click and adjust panel to find correct position	<b>10</b> Once panel is in correct location, engage second click by pressing panel into final position		
			

# LAYOUT GUIDE - SL-FA & SL-SFA

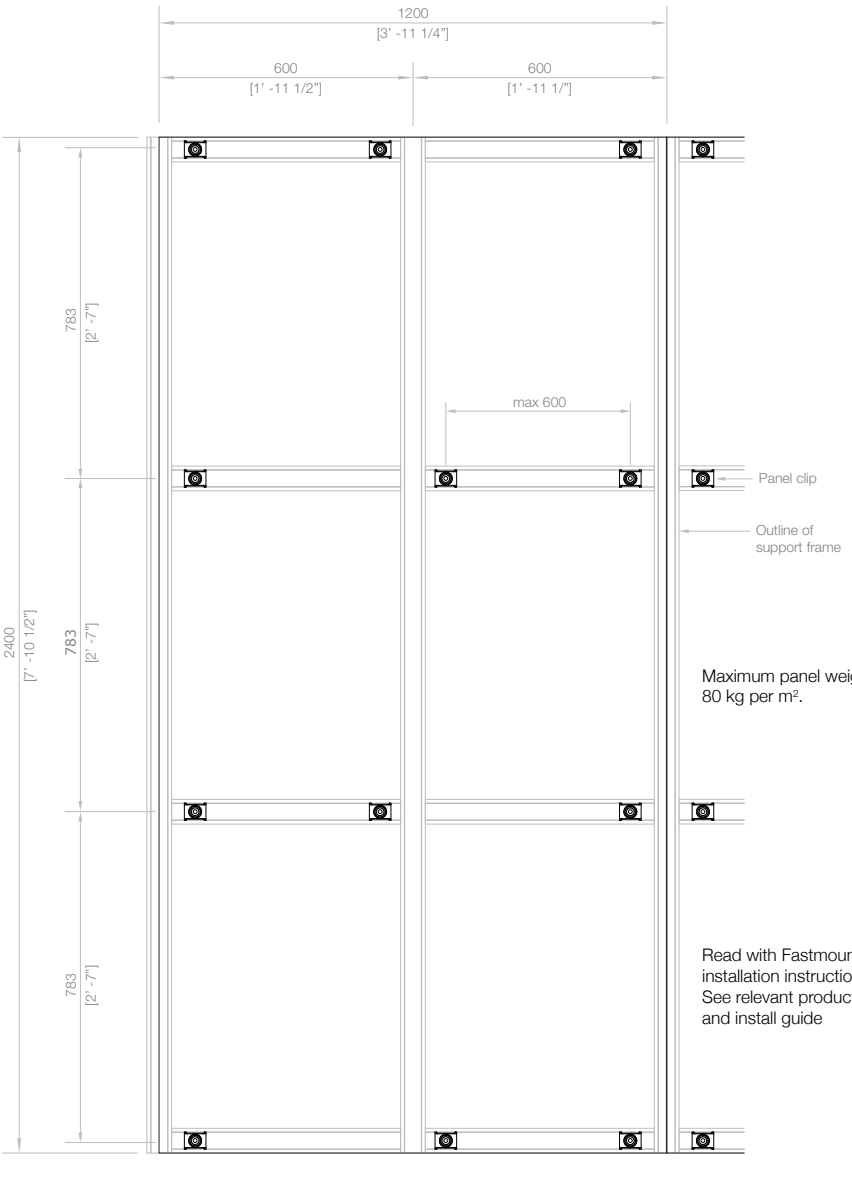
LARGE WALL PANEL

# LAYOUT GUIDE - SL-FB

LARGE WALL PANEL



TD-15



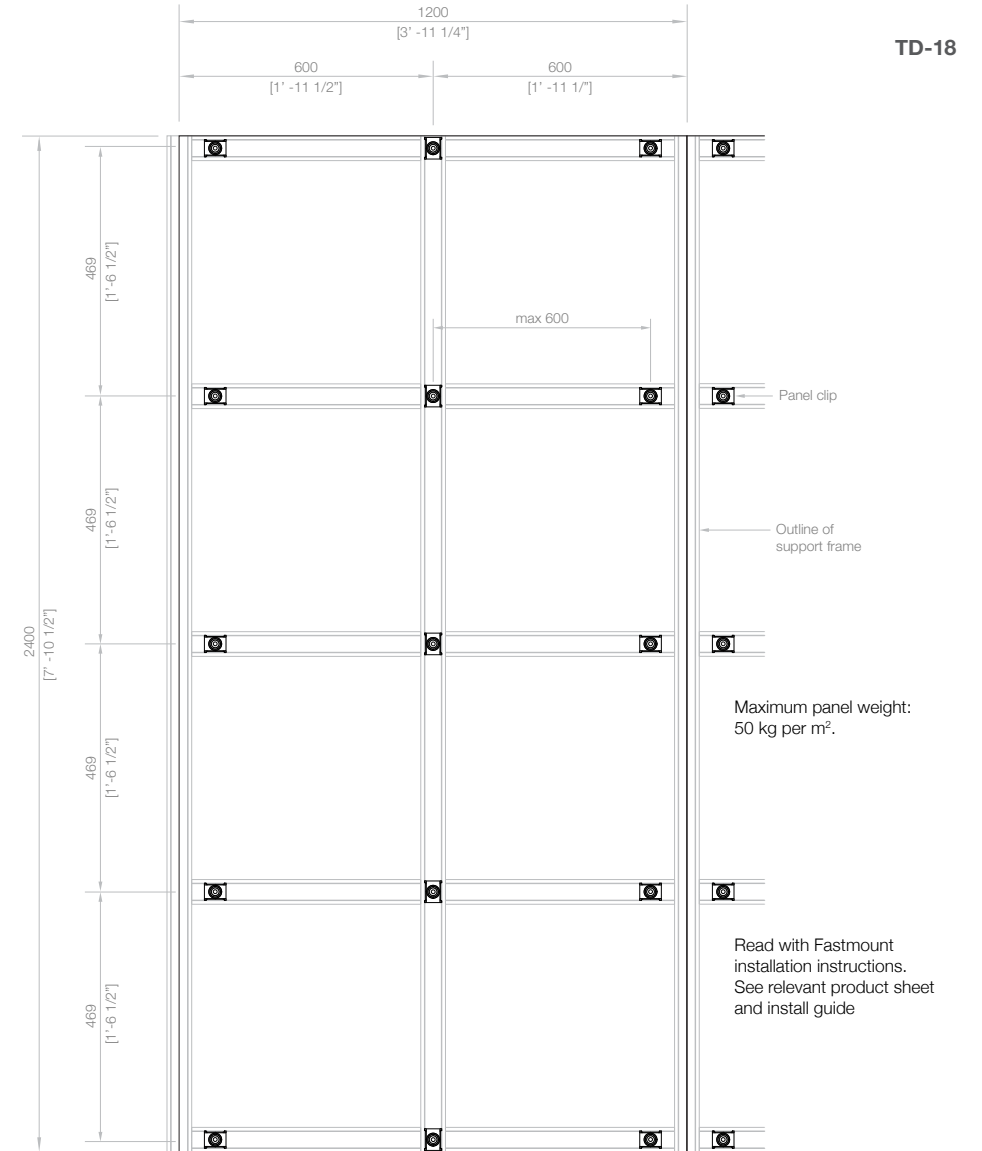
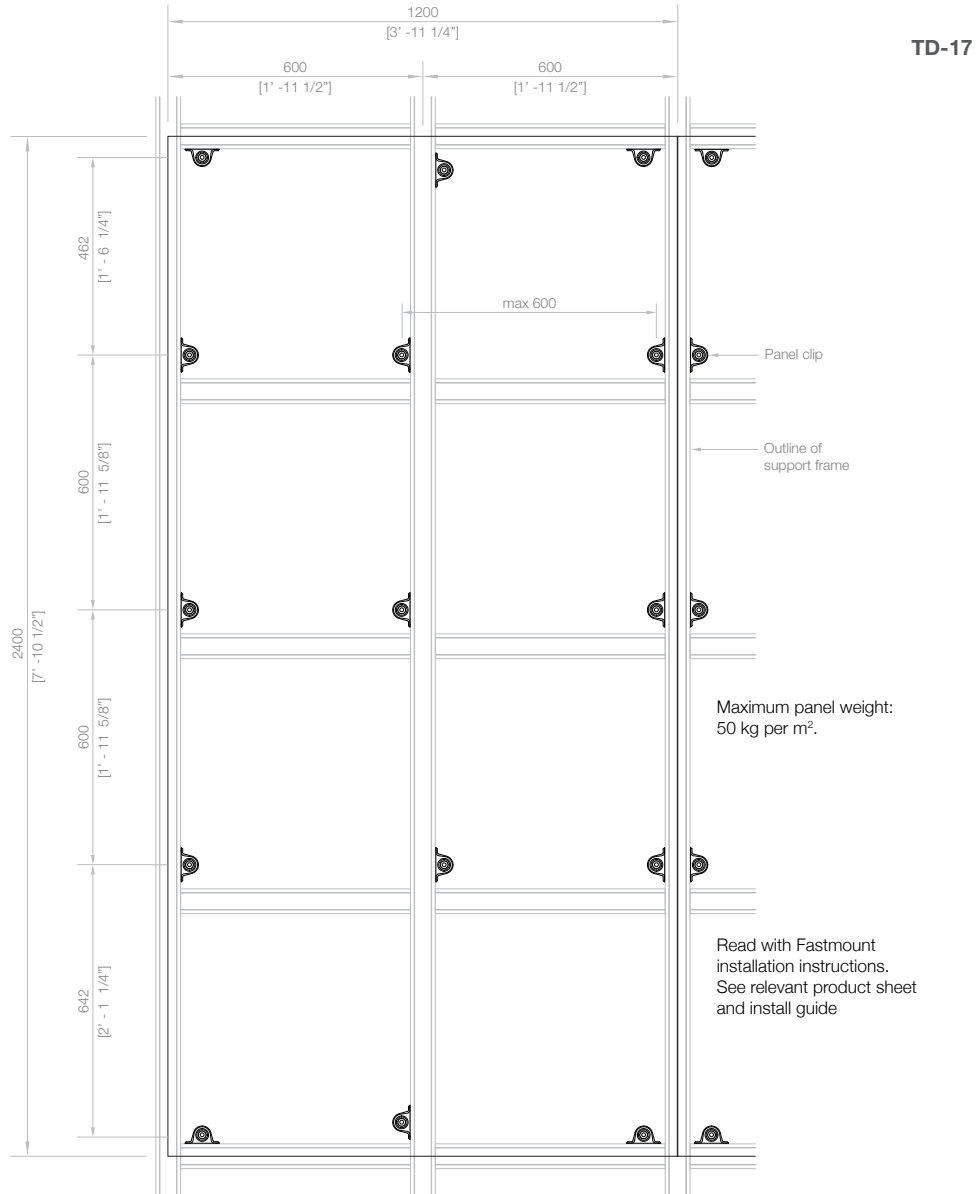
TD-16

# LAYOUT GUIDE - SL-FA & SL-SFA

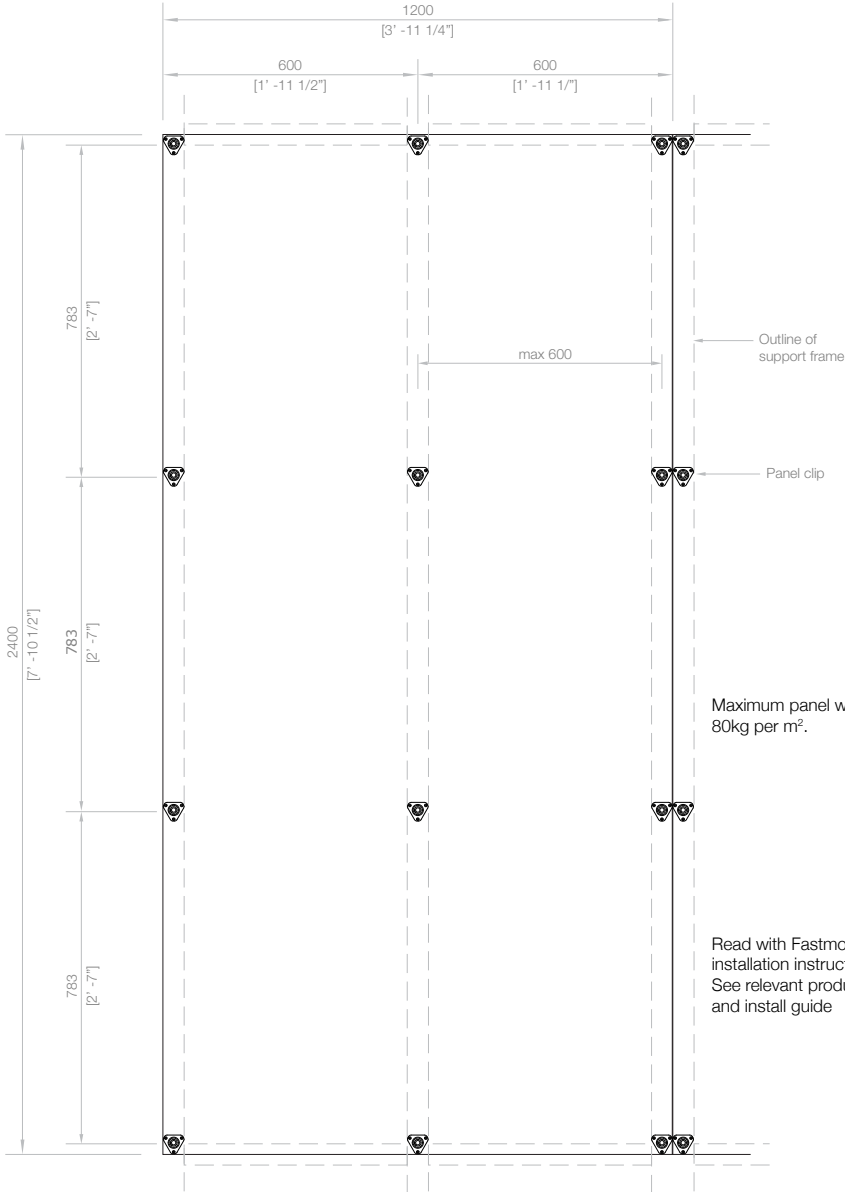
FOR CEILING PANEL

# LAYOUT GUIDE - SL-FB

FOR CEILING WALL PANEL

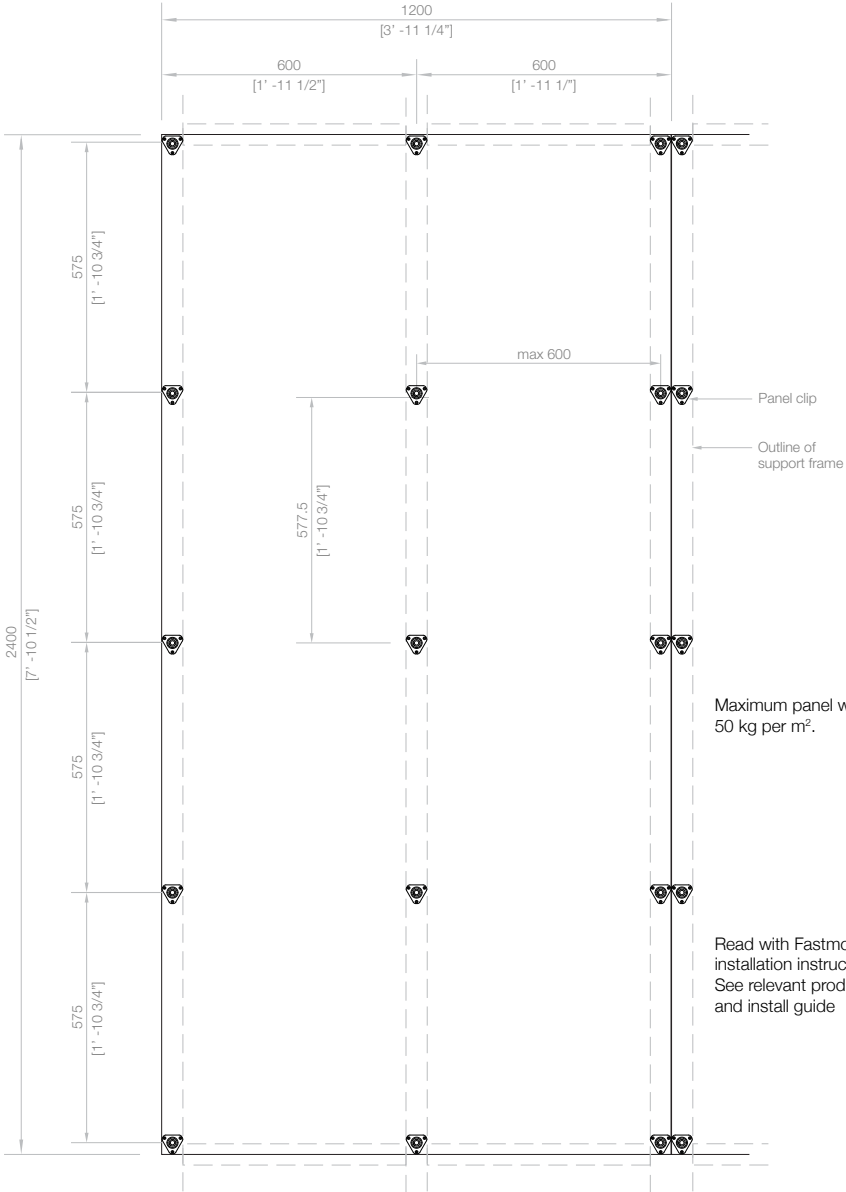


# LAYOUT GUIDE - SL-FC FOR LARGE WALL PANEL



TD-19

# LAYOUT GUIDE - SL-FC FOR CEILING WALL PANEL



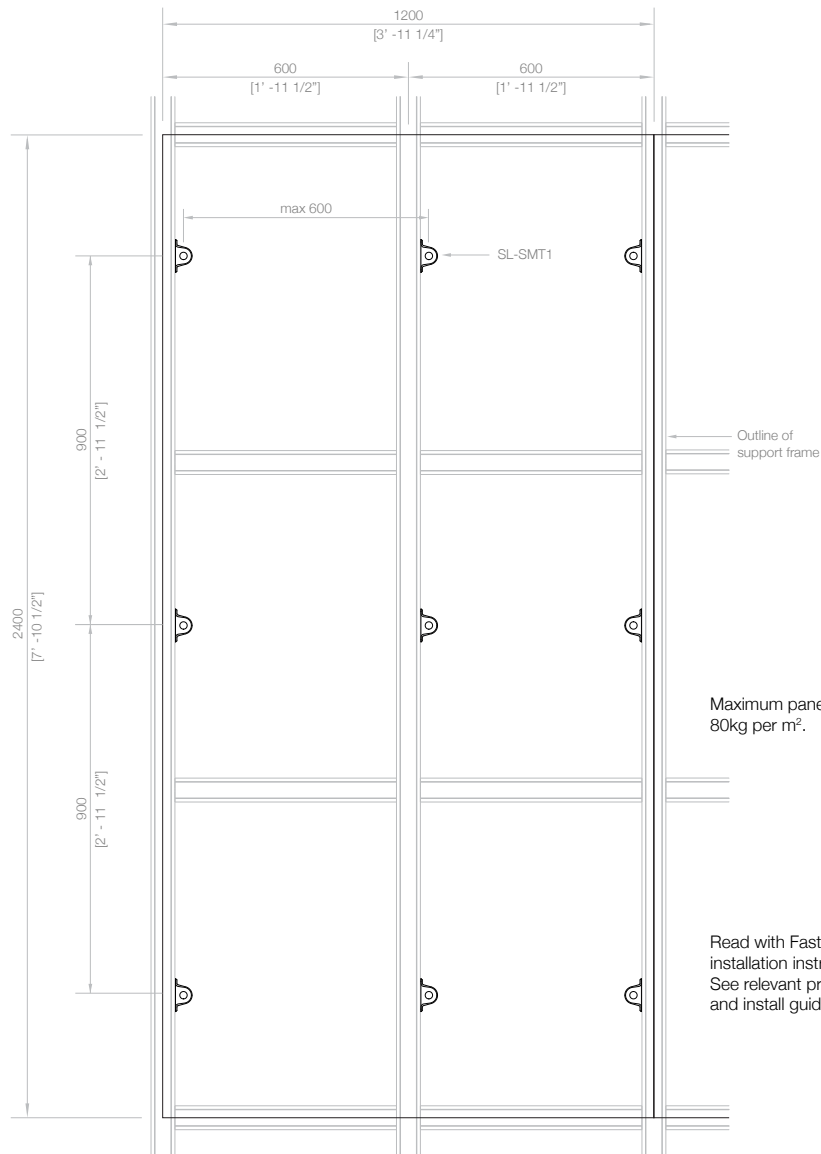
TD-20



# LAYOUT GUIDE - SL-SMT1

FOR LARGE CEILING PANEL

TD-21



Maximum panel weight:  
80kg per m².

Read with Fastmount  
installation instructions.  
See relevant product sheet  
and install guide



Hang ceiling panels  
from rod hangers quickly  
and accurately with  
the all new SL-SMT1

**STRATLOCK**  
RAIL SYSTEM BY FASTMOUNT

# PANEL OFFSET GUIDE - SL

	GAP	LOAD KG	SHEAR KGF	GAP	LOAD	SHEAR
<b>SL RANGE + STRATLOCK RAIL SYSTEM</b> (Front face of rail to back face of panel)	<b>SL-FA</b>		<b>SL-SFA</b>			
	SL-M18 (First click)	12.5mm	n/a	n/a	12.5mm	n/a
	SL-M18 (Second click)	6mm	18	142	6mm	18
	SL-M10 (First click)	12.5mm	n/a	n/a	12.5mm	10
SL-M10 (Second click)	6mm	10	117.2	6mm	10	130
<b>SL RANGE + STRATLOCK RAIL SYSTEM</b> (Back of rail to back face of panel)						
	SL-M18 (First click)	34.8mm	n/a	n/a	n/a	
	SL-M18 (Second click)	28.3mm	18	142	n/a	
	SL-M10 (First click)	34.8mm	n/a	n/a	n/a	
SL-M10 (Second click)	28.3mm	10	142	n/a		

GAP	LOAD	SHEAR	GAP	LOAD	SHEAR
<b>SL-FB</b>		<b>SL-FC</b>			
12.5mm	n/a	n/a	13.5mm	n/a	n/a
6mm	18	89	7mm	18	181.4
12.5mm	n/a	n/a	13.5mm	n/a	n/a
6mm	10	95.6	7mm	10	181.4

38.3	n/a	n/a	n/a
31.8	18	89	n/a
38.3	n/a	n/a	n/a
31.8	10	89	n/a

# TECHNICAL INFORMATION

## PULL OUT LOADS

The pull out loads will vary depending on the clip type and are specified on each product sheet. The Stratlock Range offers a 10kg or 18kg pull out option, which can be used according to how frequently the panel will be removed.

The shock load is less and can be as low as 2kg, depending on the type of shock load. Clips never load simultaneously on a panel, so if a panel has 10 clips it does not mean the force required to remove the panel (or the force the panel will take) is 10 x 5kg.

NB. For official SGS performance reports covering pullout loads, repetitive pull out loads and shear loads, please refer to [www.fastmount.com](http://www.fastmount.com)

## CLIP SPACING AND PANEL LOADS

Panels need to be supported evenly around the perimeter to eliminate sagging. The clip spacing requirements will vary depending on the application. Refer to the Fastmount Clip Layout Guides on previous pages or online: [www.fastmount.com/en/clip\\_system/clip\\_layout\\_guides](http://www.fastmount.com/en/clip_system/clip_layout_guides)

Although many of the Fastmount clip sets will hold more than your potential panel load, the reality of unknown conditions means panels and clips could be subjected to shock loads (g-forces) from huge seas or seismic shocks. From our experience it is best to follow our guidelines and also conduct tests of panel type and substrate on a project-by-project basis. If you require advice email [info@fastmount.com](mailto:info@fastmount.com)

## ADHESIVES FOR SURFACE MOUNT CLIPS

Our surface mount clips use a patented SuperGroove® design to create a mechanical engagement with the adhesive. The adhesive should be chosen according to the panel material. We recommend a 2 part epoxy for installation.

## PANEL TREATMENT NOTES (PLYWOOD, MDF, COMPOSITE FOAM PANELS)

When selecting the type of finish on your panels, ensure you follow the golden rule of 'balancing' the panel - however you treat the face side of the panel or sheet must be duplicated on the back face of the panel.

This is to prevent the panel from warping, due to the unbalanced tension that a single coating or veneer applied to one face of the panel exerts. For example, if the panel face is a paint finish, then the back face will also require a paint finish to balance the tension in the panels. In the case of veneered panels, when applying good veneer on the face side, apply any type of veneer on the back face for the best finish.

As a test to prove this, take a dry plywood or MDF panel approximately 500 x 200mm, coat one face only with water, leave the other face dry and put it in the sun. The panel will warp within hours, which is precisely the same effect as painting one side only, however it may take months for this to happen as moisture is absorbed unevenly from the atmosphere.

## QUALITY INSTALLATION

To ensure consistent and quality installation, Fastmount supplies tools where required. Installation guides and videos are available for each range on [www.fastmount.com](http://www.fastmount.com)

# FREQUENTLY ASKED QUESTIONS

## WHAT IS THE BENEFIT TO USING THE STRATLOCK RAIL SYSTEM

### OVER OTHER EXTRUSION TYPES?

The Stratlock Rail System is the only system that the Stratlock clips are specifically designed for, and using the SL-FA or SL-FB enables superior versatility for interior fit outs. The Rail System is unique in that faceted or angled walls and ceilings can be constructed easily. This also allows for precise corner junctions, and wall to ceiling junctions giving a precise panel fit.

## IS THE STRATLOCK RAIL SYSTEM SUITABLE FOR THE MARINE INDUSTRY?

Yes. The SL-RLE is made from 6063 T5 grade aluminium (marine grade) making it ideal to use in place of traditional plywood or timber deckhead substrates, being an inert material providing precise grounds for interior panels.

## WHAT LENGTHS ARE THE RAILS SOLD IN?

The rails are sold in 3 metre lengths, and can be cut to size.

## HOW MANY CLIPS DO I NEED TO USE PER M2 OF PANEL?

A combination of 4 SL-FA / SL-FB clips can be used.

## CAN I USE THE SL-FB ON VERTICAL RAILS?

We recommend the use of the SL-FA on vertical rails, and SL-FB on horizontal rails.

## CAN I USE THE SYSTEM TO MAKE FLOORS?

While not specifically designed for floor grids, the rail system can be used for this application as long as the rails are supported securely with adjustable joist supports, to the base substrate every 500mm along the lengths.

## HOW DO I MAKE CORNERS?

A corner can be created using either the SL-RCF90 + SL-RCA180 for a wall to ceiling 'corner' or the SL-RCF90 + SL-RCAB180 for a wall-to-wall corner. See the corresponding installation guides or videos for a breakdown of installation.

## WHAT GRADE IS THE ALUMINIUM EXTRUSION MADE OF?

Aluminium grade 6063 T5

## WHAT GRADE ARE THE CAST ALUMINIUM CONNECTORS?

ADC12

## WHAT IS THE BEST WAY TO TIGHTEN THE GRUB OR SOCKET SCREWS?

Use a 2.5mm hex key for the grub screws and a 3mm hex key for the socket screws. Alternatively, use a right-angle chuck in a battery driver to speed up the process.

## HOW TO LEVEL THE FRAMEWORK ON AN UNEVEN WALL?

Using the appropriate screw for the substrate you are attaching the framework to, screw the vertical profile (with connectors already installed) in place using spacing in accordance with the current standards. Use wedges/packers under the profiles to level the framework before attaching the horizontal profiles. Continue this process along the wall as you progress. Once all profiles are secured to the wall and horizontal profile locations confirmed, tighten up the screws for the connectors.

# MAINTENANCE GUIDE

## MAINTENANCE OF PANELS MOUNTED WITH FASTMOUNT CLIP SYSTEMS

Fastmount clips have been designed to be removed and refitted easily. The clips are hidden when in place and require no special maintenance. The Fastmount panel mounting system allows for easy access to maintain wiring, electronics and plumbing in the substrate, as well as access to storage behind the panels.

### TO REMOVE PANELS

Use cotton gloves when handling panels.

Covered panels should be removed using the CT-05 panel removal tool introduced at the corner edge of the panel and then pulling the panel gently away from the support frame, slowly disengaging each line of clips.

Painted or prefinished panels should be removed using two of the CT-17 glass suckers or the CT-05H heavy duty removal tool using the attached hook.

NOTE: if the panels are very long, wide or heavy always ensure that 2 people handle the panel for safety and to minimize extreme pressure on the clips.

### TO REFIT PANELS

Use cotton gloves when handling panels. Present the panel up to the original panel space and firmly push panels into place ensuring all clips are engaged. Use a firm pressure, do not hit the panel hard with your hand to engage clips – this can cause damage to the panels and the clips.

# AUTHORISED DISTRIBUTORS

## AFRICA

**Dynamic Supply Systems (DSS)**  
+27 (0)82 387 5324

## AUSTRALIA

**MarineWare**  
+61 (7) 5502 8966

**Titus Tekform Pty Ltd**  
+61 (02) 9826 0007

AUSTRIA & GERMANY  
**Robert Lindemann KG**  
+49 (0)40 211197 20

BAHRAIN, KUWAIT,  
SAUDI ARABIA & UAE  
**Exalto Emirates LLC**  
+971 (0)6 545 3366

BELARUS  
**Furniplast**  
+37 5296 650065

BRAZIL  
**I-Sea**  
+5511 9 9922.5505

CANADA  
**Western Marine**  
+1 604 253 3322  
**Sugatsune Canada Inc**  
+1-514-312-5267

CHILE  
**Rce latam**  
+56 9 3467 9401

CHINA  
**Sugatsune Shanghai**  
+86-21-3632-1858 extn 802

CROATIA  
**Yachthings**  
+385 52 63 56 15

DENMARK  
**HF Industri & Marine**  
+45 6220 1312

ESTONIA  
**Gamma Baltic OÜ**  
+372 6459757

FINLAND  
**MarineMan Oy**  
+358 10 4235220

## FRANCE

**Domarine**  
+33(6)72 808 185  
GREECE  
**VIOTAP**  
+30 210 24 65 510

HUNGARY  
**Kerimpex Kft.**  
+36 1 3330010

INDIA  
**Sugatsune Kogyo India**  
+91-22-2831-4490 & 4491

IRELAND  
**Panel Mounting Systems & Architectural Components**  
+44 28 411 23284

ISRAEL  
**Multitech Hardware Line Ltd**  
+972 525 122188

ITALY  
**Promotech Italia Srl**  
+39 0584 55 026

JAPAN  
**Sugatsune Co Ltd**  
+81 (03) 3866-2267

KOREA  
**Young & Sun Int'l Inc.**  
+82 31 716 7994

LATVIA  
**Gamma Fittings SIA**  
+371 25606633

LITHUANIA  
**UAB Furnitanas**  
+37052323052

NETHERLANDS  
**Kroon B.V.**  
+31 (0) 598-858585

NEW ZEALAND  
**QCD Ltd**  
+64 09 815 7500

POLAND  
**Nowacore**  
+48 504 071 930

RUSSIA  
**New Furniture Technologies Ltd**  
+7 (812) 703 01 13

## SINGAPORE

**Beltiston Ventures Pte Ltd**  
+65 6367 3148

SPAIN  
**Riviera Trade**  
+34 606 959 967

SWEDEN  
**HF Marin Sweden AB**  
+46 550 77 11 11

TAIWAN  
**Asia Connect**  
+886 07 2229224

THAILAND  
**Brand House Asia**  
+66 (0)76527 772

TURKEY  
**Neva Marine**  
+90 (216) 447 0600

UK  
**Sugatsune Kogyo(UK) Ltd**  
+44 (0) 1189 272 955

UKRAINE  
**Mebelnye Technology**  
+380444923000

USA  
**Spradling Int'l Marine**  
+1 800 967 7753  
**Sugatsune America**  
+1 800-562-5267

## TECHNICAL SUPPORT

AUSTRALASIA  
**Fastmount Ltd**  
+64 21725418

EUROPEAN UNION  
**Domarine**  
+33 (0) 672 808185

UK  
**Sugatsune Kogyo (UK) Ltd**  
+44 (0) 1189 272 955

USA & CANADA  
**Sugatsune America, Inc**  
+1 (310) 329-6373







**SGS TESTED | RELIABLE | ORIGINAL**

Supplying to thousands of companies in over 50 countries, the Fastmount® Panel Mounting System offers exceptional panel mounting solutions for the marine, architectural, aviation and recreational vehicle industries. Its global network of distributors ensures easy accessibility to the Fastmount system worldwide.

**Visit [fastmount.com](https://fastmount.com) to see new products, download CAD files or find your nearest distributor.**

**FASTMOUNT**  
PANEL MOUNTING SOLUTIONS



9 421032 530708 >



PROUDLY DESIGNED & MANUFACTURED IN NEW ZEALAND

Copyright © 2023 Fastmount