

STRATLOCK RAIL SYSTEM

BY FASTMOUNT

Setting the standard for panel mounting

PRODUCT SHEET

SL-RCA180 Adjustable wall to ceiling connector

SPECIFICATIONS:

The SL-RCA180 is a 180° adjustable connector that pairs with the SL-RCF90 to create a wall to ceiling, perpendicular connection. Made of diecast aluminium alloy ADC12. Fits into SL-RLE profile end. Installs with provided small hex head grub screw (stainless steel), and installs into SL-RCF90 with supplied socket screws.

SL-RCA180



USE WITH:

SL-RLE SL-RCF90



MATERIAL:

Diecast aluminium alloy ADC12

MORE INFO:

Installation Guide SL-RCA180



STRATLOCK RAIL SYSTEM

BENEFITS

- Enables simple construction of wall to ceiling corner with only 2 parts
- No additional machining required
- Direct fixing into profile groove & end
- Stability nogs
- Minimal construction effort
- Screws into position with provided grub screw
- 180° adjustability
- No special tools required for installation
- Diecast aluminium alloy ADC12
- Simple assembly, reversible installation
- Enables pre-assembly

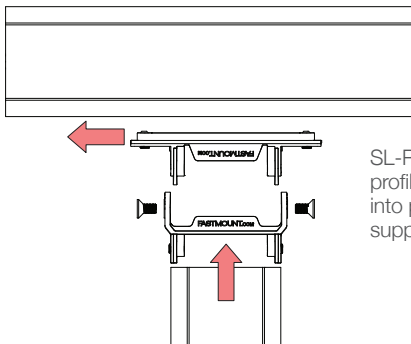
APPLICATIONS

- Modular construction
- Blind walls & ceilings
- Contract interior fit out
- Hotels, hospitals, retail, residential
- Exhibitions

INSTALLATION: Partially exploded through section showing typical installation method

WALL TO CEILING CONNECTIONS

Corner connector with 180° adjustability for perpendicular rails.



SL-RCA180 slides into profile groove into profile end, fastens with supplied grub screws.



Creating and decorating aluminium framework has never been faster or more flexible. With only one profile required and adaptable connectors, the Stratlock Rail System is a foolproof way to create a consistent substrate for the perfect panel finish. For further information or technical support contact: info@fastmount.com

www.fastmount.com

