

STRATLOCK RAIL SYSTEM

BY FASTMOUNT

Setting the standard for panel mounting

PRODUCT SHEET

SL-FA Stratlock® Female Side Mount Clip

SL-FA-FR Stratlock® Female Side Mount Clip - Fire Rated

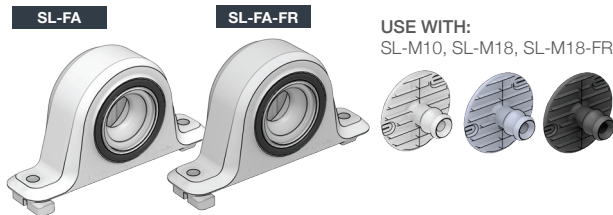


SPECIFICATIONS:

STRATLOCK SL RANGE

The SL-FA provides rapid installation of heavy panels into side-channel aluminium extrusion framework. Designed specifically for contract interior fit out applications, the SL-FA / SL-FA-FR is also suitable for superyacht deckhead panels. Female installs rapidly with a twist-lock function into the side channel, and can be screwed or riveted into its final position. Used with the SL-M10/SL-M18 /SL-M18-FR, the new solid internal load chassis creates 4mm supported movement of the panel in any direction at the first engagement before locking into place with a 10/18kg pull out load. Patent Pending.

Designed for the new Stratlock Rail System by Fastmount, or fits into groove dimensions: mouth: 7.5mm - 8.5mm, depth: min 7mm, wall thickness: 0.75mm - 1.2mm. The distance between the panel and substrate when installed is 12.5mm at the first click, and 6mm when pressed into final position.



USE WITH:
SL-M10, SL-M18, SL-M18-FR

MATERIAL:

White acetyl, rubber o-ring
FR Nylon, rubber o-ring

MORE INFO:

Installation Guide SL-FA
Clip Layout Guide TD-15, 17

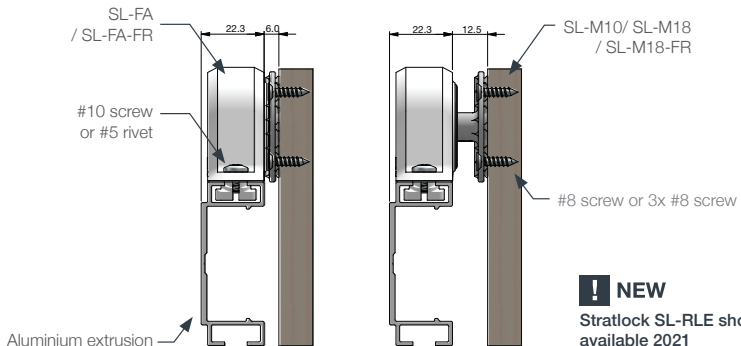
BENEFITS

- Strongest mounting available
- T-lock function for rapid installation into channel with screw or pop rivet
- Supported movement of the panel 4mm in any direction before locking into final position.
- No special tools required for installation
- Acoustic isolation between panel and frame
- Designed for aluminium extrusion
- Option of 10kg or 18kg pull out load with SL-M10 or SL-M18
- 6mm standoff between frame and panel
- Adjustability along channel for easy spacing - no drilling required
- SL-FA-FR available in V-0 rated FR Nylon

APPLICATIONS

- Commercial interior fit out
- Architectural and marine applications
- Mounting heavier ceiling and wall panels
- Hotels, hospitals, retail
- Residential fit out
- Superyacht deckhead panels
- Fire-rated interiors

INSTALLATION: Partially exploded through section showing typical installation method



Creating and decorating aluminium framework has never been faster or more flexible. With only one profile required and adaptable connectors, the Stratlock Rail System is a foolproof way to create a consistent substrate for the perfect panel finish. For further information or technical support contact: info@fastmount.com