

# STRATLOCK RAIL SYSTEM

BY FASTMOUNT

Setting the standard for panel mounting

PRODUCT SHEET



## SL-M10 Stratlock® Male 10kg

### SPECIFICATIONS:

### STRATLOCK SL RANGE

The male SL-M10 attaches to the panel, and mounts into either SL-FA, SL-SFA, SL-FB or SL-FC for rapid mounting of heavy panels to aluminium or steel extrusion framework, or solid substrates. The SL-M10 has a lower pull out load of 10kg for more frequently removed panels still requiring strength and high shear loading. Featuring a unique two-stage engagement head, the SL-M10 engages into the new solid internal load chassis to give 4mm supported movement in any direction before locking into place. Option to fix into panel using 1 x #8 screw, 3 x #8 screws or adhesive fix with Fastmount SuperGroove® Adhesive. No special tools required for installation. Patent Pending. Refer to Panel Offset Guide for gap between substrate and panel, pull out and shear loads.

### BENEFITS

- 10kg pull out load
- Supported movement of the panel 4mm in any direction before locking into final position.
- Option to screw fix with 1 x #8, or 3 x #8 screws
- Option to adhesive fix with Fastmount SuperGroove® Adhesive
- No special tools required for install
- Acoustic isolation between panel and frame
- Fits into SL-FA, SL-SFA, SL-FB or SL-FC

### APPLICATIONS

- Commercial interior fit out
- Mounting ceiling and wall panels
- Hotels, hospitals, retail, residential
- Superyacht deckheads

SL-M10 10kg



**NEW !**

**MATERIAL:**  
White nylon

### USE WITH:

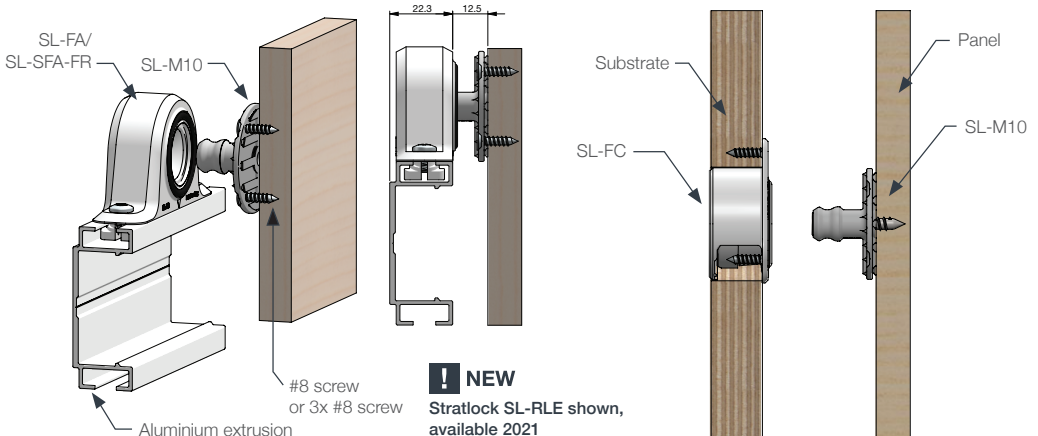
SL-FA  
SL-SFA  
SL-FB  
SL-FC



### MORE INFO:

Installation Guide SL-FA, SL-SFA, SL-FB, SL-FC  
Clip Layout Guide TD-15  
Panel Offset Guide

**INSTALLATION:** Partially exploded through section showing typical installation method



Creating and decorating aluminium framework has never been faster or more flexible. With only one profile required and adaptable connectors, the Stratlock Rail System is a foolproof way to create a consistent substrate for the perfect panel finish. For further information or technical support contact: [info@fastmount.com](mailto:info@fastmount.com)