

STRATLOCK RAIL SYSTEM

BY FASTMOUNT

Setting the standard for panel mounting

PRODUCT SHEET

SL-FB Stratlock® Female Front Mount

SL-FB-FR Stratlock® Female Front Mount - Fire Rated

SPECIFICATIONS:

The SL-FB provides rapid installation of heavy panels into 18mm standard galvanized steel rail framework. Designed specifically for contract interior fit out applications. Female installs rapidly with a push fit function into the steel channel, and does not require fastenings. Used with the SL-M10/SL-M18 / SL-M18-FR, the new solid internal load chassis creates 4mm supported movement of the panel in any direction at the first engagement before locking into place with an 10/18kg pull out load. Patent Pending.

Designed for the new Stratlock Rail System by Fastmount, or fits into channel dimensions: mouth: 35.0mm - 35.75mm, depth: min 15.75mm - 16.5mm, wall thickness: N/A. The distance between the panel and substrate when installed is 12.5mm at the first click, and 6mm when pressed into final position.

SL-FB

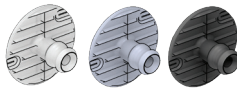


SL-FB-FR



USE WITH:

SL-M10, SL-M18, SL-M18-FR



MATERIAL:

White acetyl, rubber o-ring
FR PBT, rubber o-ring

MORE INFO:

Installation Guide SL-FB
Clip Layout Guide TD-16, 18
Panel Offset Guide

STRATLOCK SL RANGE

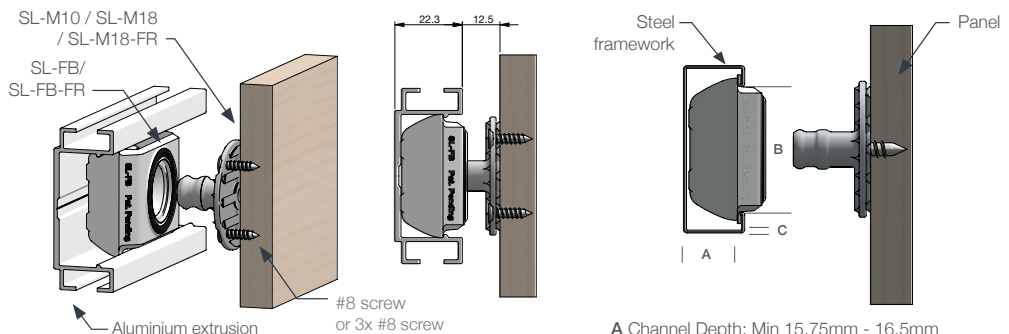
BENEFITS

- Strongest mounting available
- Supported movement of the panel 4mm in any direction before locking into final position.
- Push fit into rail face
- No special tools required
- Acoustic isolation between panel and frame
- Fits into front channel steel extrusion
- Option of 10kg or 18kg pull out load with SL-M10 or SL-M18
- Adjustability along channel for easy spacing - no drilling required
- SL-FB-FR available in V-0 rated FR PBT

APPLICATIONS

- Commercial interior fit out
- Mounting heavier ceiling and wall panels
- Architectural applications
- Hotels, hospitals, retail, residential
- Fire-rated wall panels

INSTALLATION: Partially exploded through section showing typical installation method



- A Channel Depth: Min 15.75mm - 16.5mm
B Channel Mouth: 35.0mm - 35.75mm
C Channel Wall Thickness: Wall thickness does not effect clip)

! NEW Stratlock SL-RLE shown, available 2021

Creating and decorating aluminium framework has never been faster or more flexible. With only one profile required and adaptable connectors, the Stratlock Rail System is a foolproof way to create a consistent substrate for the perfect panel finish. For further information or technical support contact: info@fastmount.com